

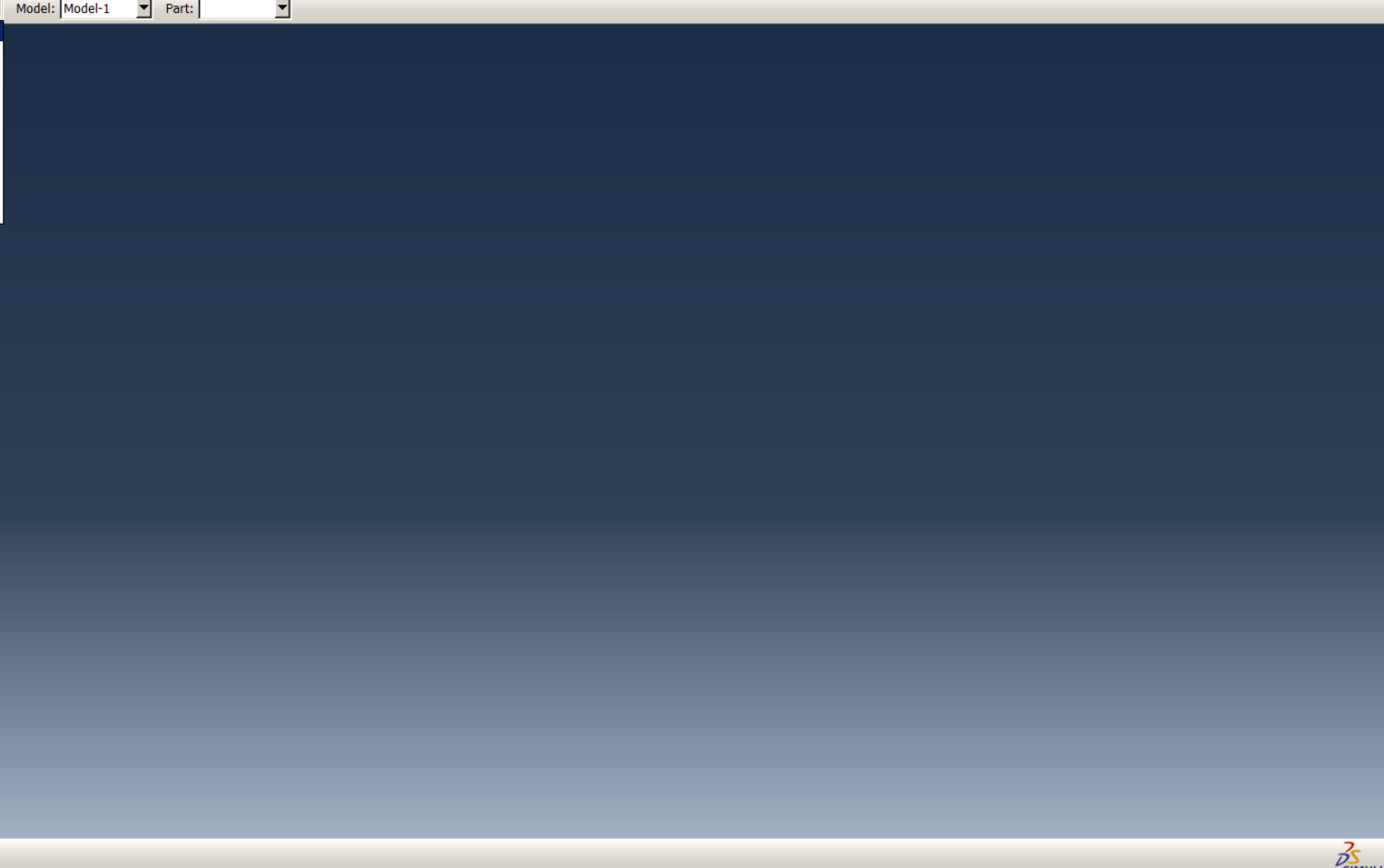
Stabilitate HEB 220

Model Database

- Models (1)
 - Model-1
 - Parts
 - Materials
 - Sections
 - Profiles
 - Assembly
 - Steps (1)
 - Field Output Requests
 - History Output Requests
 - Time Points
 - ALE Adaptive Mesh Constraints
 - Interactions
 - Interaction Properties
 - Contact Controls
 - Contact Initializations
 - Constraints
 - Connector Sections
 - Fields
 - Amplitudes
 - Loads
 - BCs
 - Predefined Fields
 - Remeshing Rules
 - Sketches
 - Annotations
 - Analysis
 - Jobs
 - Adaptivity Processes
 - Co-executions

Module: Part

- Part
- Property
- Assembly
- Step
- Interaction
- Load
- Mesh
- Job
- Visualization
- Sketch



Warning: Warning: Permission was denied for "abaqus.rpy"; "abaqus.rpy.140" will be used for this session's replay file.

Model Database

- Models (1)
 - Model-1
 - Parts
 - Materials
 - Sections
 - Profiles
- BCs
- Predefined Fields
- Remeshing Rules
- Sketches
- Annotations
- Analysis
 - Jobs
 - Adaptivity Processes
 - Co-executions

Part Manager

Name	Description	Status

Create...
Copy...
Rename...
Delete...
Lock
Unlock
Update Validity
Ignore Invalidity
Dismiss

Create Part

Name: Grinda

Modeling Space
 3D 2D Planar Axisymmetric

Type
 Deformable
 Discrete rigid
 Analytical rigid
 Eulerian

Options
None available

Base Feature

Shape	Type
<input type="radio"/> Solid	Planar
<input checked="" type="radio"/> Shell	Extrusion
<input type="radio"/> Wire	Revolution
<input type="radio"/> Point	Sweep

Approximate size: 600

Continue... Cancel

Fill out the Create Part dialog

Warning: Warning: Permission was denied for "abaqus.rpy"; "abaqus.rpy.140" will be used for this session's replay file.

Model Database

- Models (1)
 - Model-1
 - Parts
 - Materials
 - Sections
 - Profiles
 - Assembly
 - Steps (1)
 - Field Output Requests
 - History Output Requests
 - Time Points
 - ALE Adaptive Mesh Constraints
 - Interactions
 - Interaction Properties
 - Contact Controls
 - Contact Initializations
 - Constraints
 - Connector Sections
 - Fields
 - Amplitudes
 - Loads
 - BCs
 - Predefined Fields
 - Remeshing Rules
 - Sketches
 - Annotations
 - Analysis
 - Jobs
 - Adaptivity Processes
 - Co-executions

Create Lines: Connected

V.204

220

H-t₂

220

220

Select the entity to dimension

Warning: Warning: Permission was denied for "abaqus.rpy"; "abaqus.rpy.140" will be used for this session's replay file.

Model Database

- Models (1)
 - Model-1
 - Parts
 - Materials
 - Sections
 - Profiles
 - Assembly
 - Steps (1)
 - Field Output Requests
 - History Output Requests
 - Time Points
 - ALE Adaptive Mesh Constraints
 - Interactions
 - Interaction Properties
 - Contact Controls
 - Contact Initializations
 - Constraints
 - Connector Sections
 - Fields
 - Amplitudes
 - Loads
 - BCs
 - Predefined Fields
 - Remeshing Rules
 - Sketches
 - Annotations
 - Analysis
 - Jobs
 - Adaptivity Processes
 - Co-executions

Warning: Warning: Permission was denied for "abaqus.rpy"; "abaqus.rpy.140" will be used for this session's replay file.

- Model Database
- Models (1)
 - Model-1
 - Parts
 - Materials
 - Sections
 - Profiles
 - Assembly
 - Steps (1)
 - Field Output Requests
 - History Output Requests
 - Time Points
 - ALE Adaptive Mesh Constraints
 - Interactions
 - Interaction Properties
- Co
- Co
- Co
- Co
- File
- Arr
- Loc
- BC
- Pre
- Re
- Ski
- Annotatic
- Analysis
 - Jobs
 - Adaptivity Processes
 - Co-executions

Edit Base Extrusion

End Condition

Type: Blind

Depth: 6000

Options

Note: Twist and draft cannot be specified together.

Include twist, pitch: 0 (Dist/Rev)

Include draft, angle: 0 (Degrees)

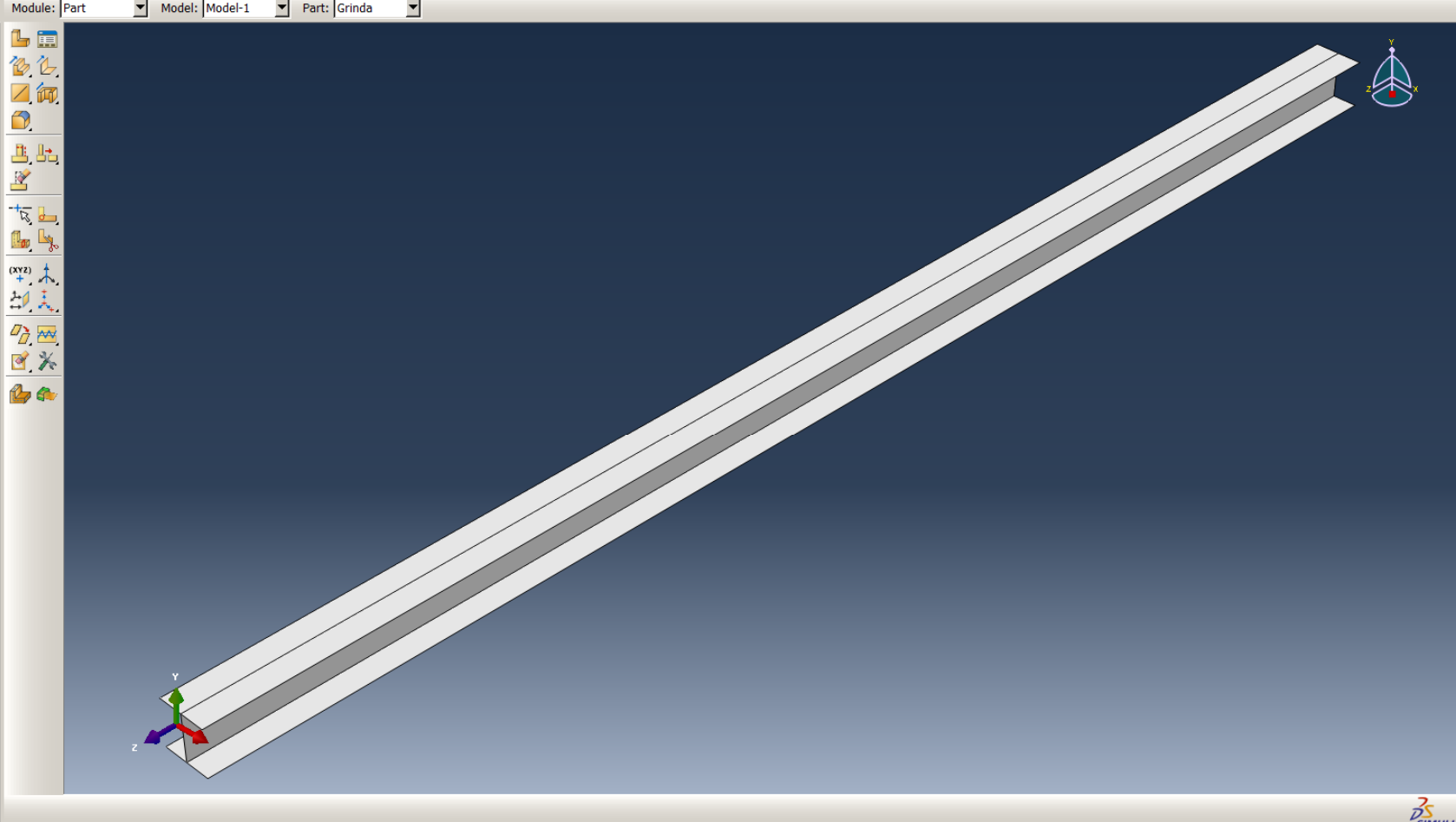
OK Cancel

Fill out the Edit Base Extrusion dialog

Warning: Warning: Permission was denied for "abacus.rpy"; "abacus.rpy.140" will be used for this session's replay file.

Model Database

- Models (1)
 - Model-1
 - Parts (1)
 - Materials
 - Sections
 - Profiles
 - Assembly
 - Steps (1)
 - Field Output Requests
 - History Output Requests
 - Time Points
 - ALE Adaptive Mesh Constraints
 - Interactions
 - Interaction Properties
 - Contact Controls
 - Contact Initializations
 - Constraints
 - Connector Sections
 - Fields
 - Amplitudes
 - Loads
 - BCs
 - Predefined Fields
 - Remeshing Rules
 - Sketches
 - Annotations
 - Analysis
 - Jobs
 - Adaptivity Processes
 - Co-executions



Warning: Warning: Permission was denied for "abaqus.rpy"; "abaqus.rpy.140" will be used for this session's replay file.

Model Database

Models (1)

Model-1

Material Manager

Name

Create...
Edit...
Copy...
Rename...
Delete...
Evaluate...
Dismiss

Predefined Fields
Remeshing Rules
Sketches

Annotations
Analysis
Jobs
Adaptivity Processes
Co-executions

Edit Material

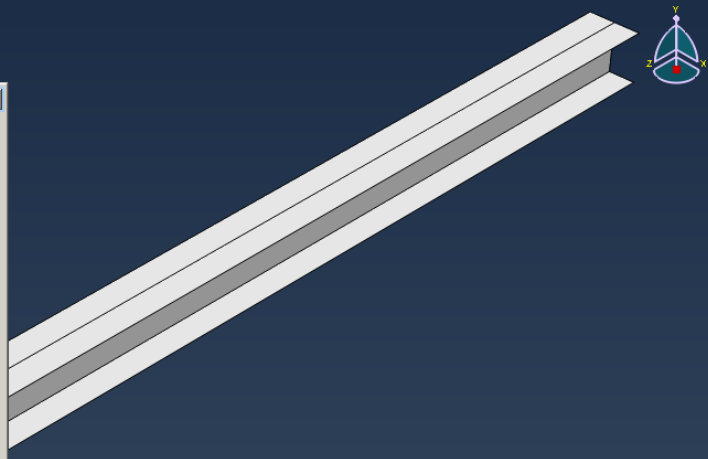
Name: s355
Description: Edit...

Material Behaviors

General Mechanical Thermal Other Delete

- Elasticity
 - Elastic
 - Hyperelastic
 - Hyperfoam
 - Low Density Foam
 - Hypogelastic
 - Porous Elastic
 - Viscoelastic
- Elasticity
- Damage for Ductile Metals
- Damage for Traction Separation Laws
- Damage for Fiber-Reinforced Composites
- Damage for Elastomers
- Deformation Plasticity
- Damping
- Expansion
- Brittle Cracking
- Eqs
- Viscosity

OK Cancel



Warning: Warning: Permission was denied for "abaqus.rpy"; "abaqus.rpy.140" will be used for this session's replay file.

Model Database

Models (1)

Model-1

Material Manager

Name	Create...	Edit...	Copy...	Rename...	Delete...	Evaluate...	Dismiss
------	-----------	---------	---------	-----------	-----------	-------------	---------

Predefined Fields

Remeshing Rules

Sketches

Annotations

Analysis

Jobs

Adaptivity Processes

Co-executions

Edit Material

Name: s355

Description: Edit...

Material Behaviors

Elastic

General Mechanical Thermal Other

Elastic

Type: Iso

Use temperature-dependent properties

Number of points: 1

Modulus of elasticity: 210000

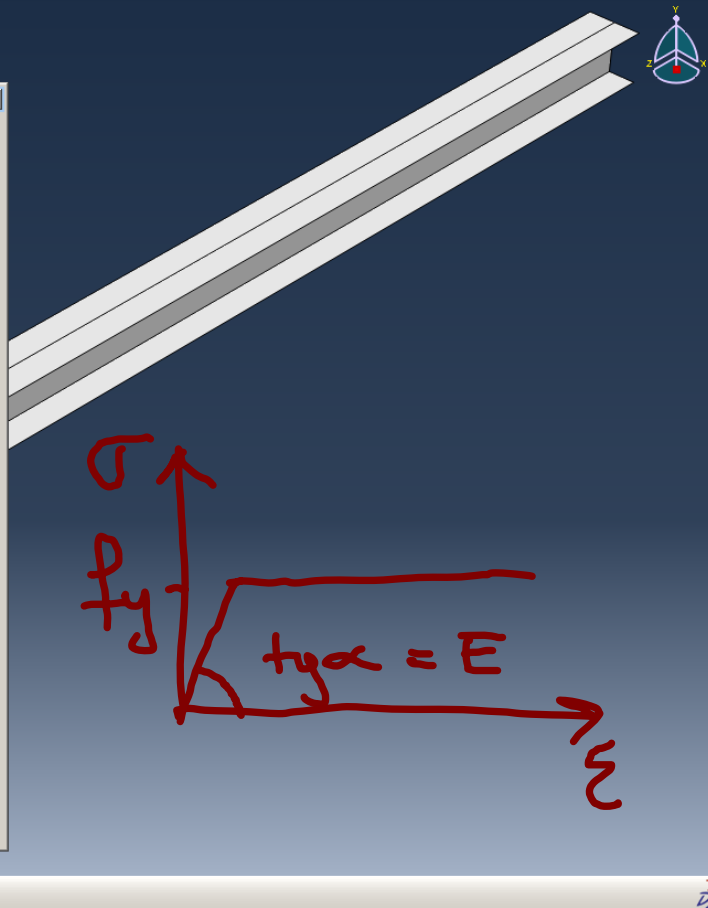
No compression

No tension

Data

	Y	M
1	210000	0.3

OK Cancel



Warning: Warning: Permission was denied for "abaqus.rpy"; "abaqus.rpy.140" will be used for this session's replay file.

Model Database

Models (1)

Model-1

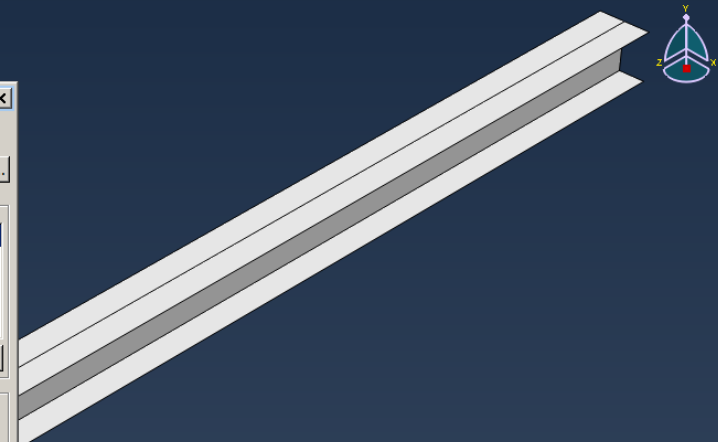
Material Manager

Name
s355

Create...
Edit...
Copy...
Rename...
Delete...
Evaluate...
Dismiss

Predefined Fields
Remeshing Rules
Sketches

Annotations
Analysis
Jobs
Adaptivity Processes
Co-executions



Edit Material

Name: s355
Description: Edit...

Material Behaviors

Elastic
Plastic

General Mechanical Thermal Other Delete

Elastic

Type: Isotropic Suboptions
 Use temperature-dependent data
Number of field variables: 0
Moduli time scale (for viscoelasticity): Long-term
 No compression
 No tension

Data

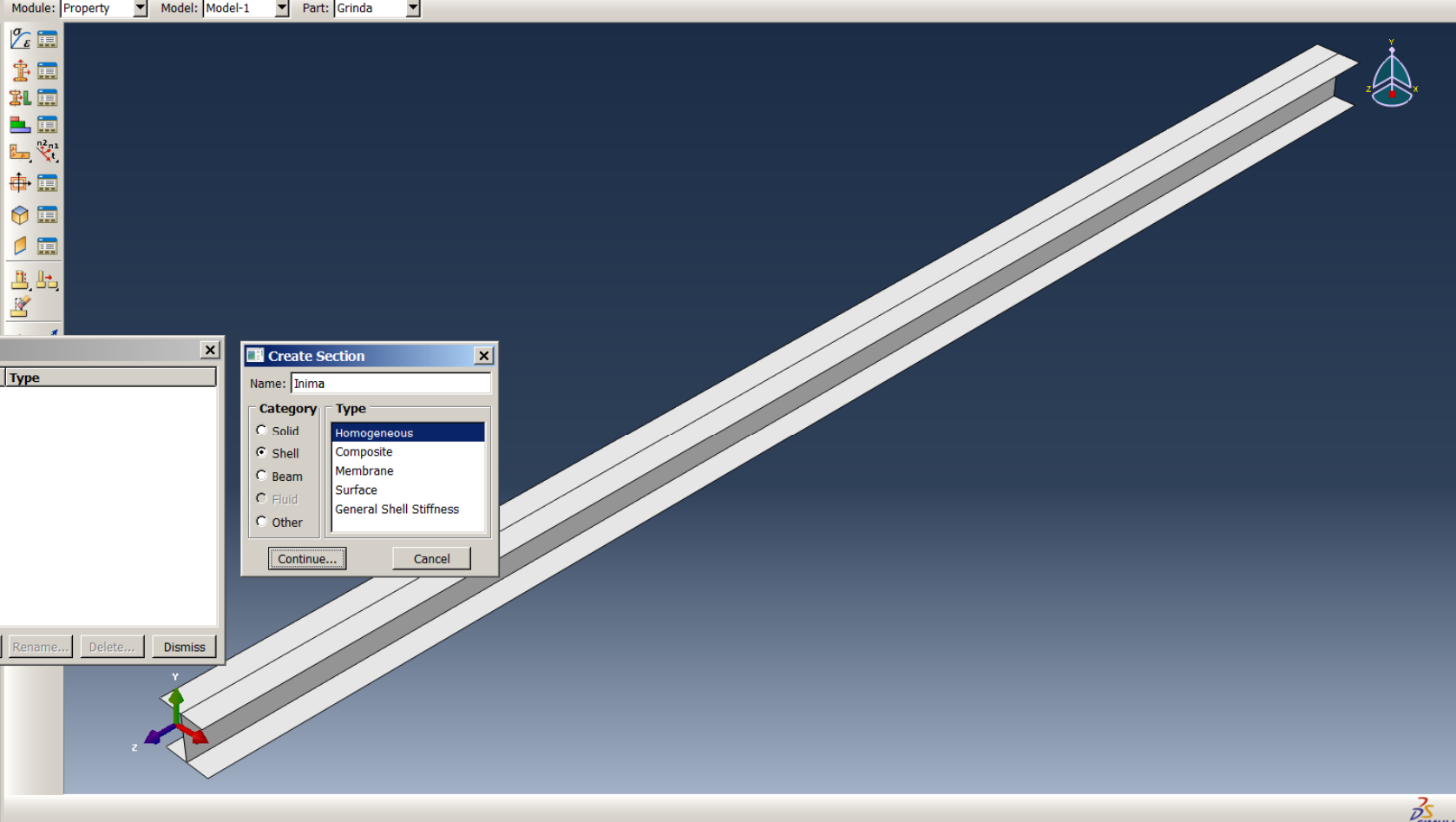
	Young's Modulus	Poisson's Ratio
1	210000	0.3

OK Cancel

Warning: Warning: Permission was denied for "abaqus.rpy"; "abaqus.rpy.140" will be used for this session's replay file.

Model Database

- Models (1)
 - Model-1
 - Parts (1)
 - Materials (1)
 - Sections
 - Profiles
 - Assembly
 - Steps (1)
 - Field Output Requests
 - History Output Requests
 - Time Points
 - ALE Adaptive Mesh Constraints
 - Interactions
 - Interaction Properties
 - Contact Controls
 - Contact Initializ
 - Constraints
 - Connector Sect
 - Fields
 - Amplitudes
 - Loads
 - BCs
 - Predefined Field
 - Remeshing Rule
 - Sketches
 - Annotations
 - Analysis
 - Jobs
 - Adaptivity Process
 - Co-executions



Section Manager

Name	Type
------	------

Create... Edit... Copy... Rename... Delete... Dismiss

Create Section

Name: Inima

Category	Type
<input type="radio"/> Solid	Homogeneous
<input checked="" type="radio"/> Shell	Composite
<input type="radio"/> Beam	Membrane
<input type="radio"/> Fluid	Surface
<input type="radio"/> Other	General Shell Stiffness

Continue... Cancel

Warning: Warning: Permission was denied for "abaqus.rpy"; "abaqus.rpy.140" will be used for this session's replay file.

Model Database

- Models (1)
 - Model-1
 - Parts (1)
 - Materials (1)
 - Sections
 - Profiles
 - Assembly
 - Steps (1)
 - Field Output Requests
 - History Output Requests
 - Time Points
 - ALE Adaptive Mesh Constraints
 - Interactions
 - Interaction Properties
 - Contact Controls
 - Contact Initializ
 - Constraints
 - Connector Sect
 - Fields
 - Amplitudes
 - Loads
 - BCs
 - Predefined Field
 - Remeshing Rule
 - Sketches
 - Annotations
 - Analysis
 - Jobs
 - Adaptivity Process
 - Co-executions

Section Manager

Name	Type
------	------

Create... Edit... Copy... Rename... Delete... Dismiss

Edit Section

Name: Inima
Type: Shell / Continuum Shell, Homogeneous

Section integration: During analysis Before analysis

Basic | Advanced

Thickness

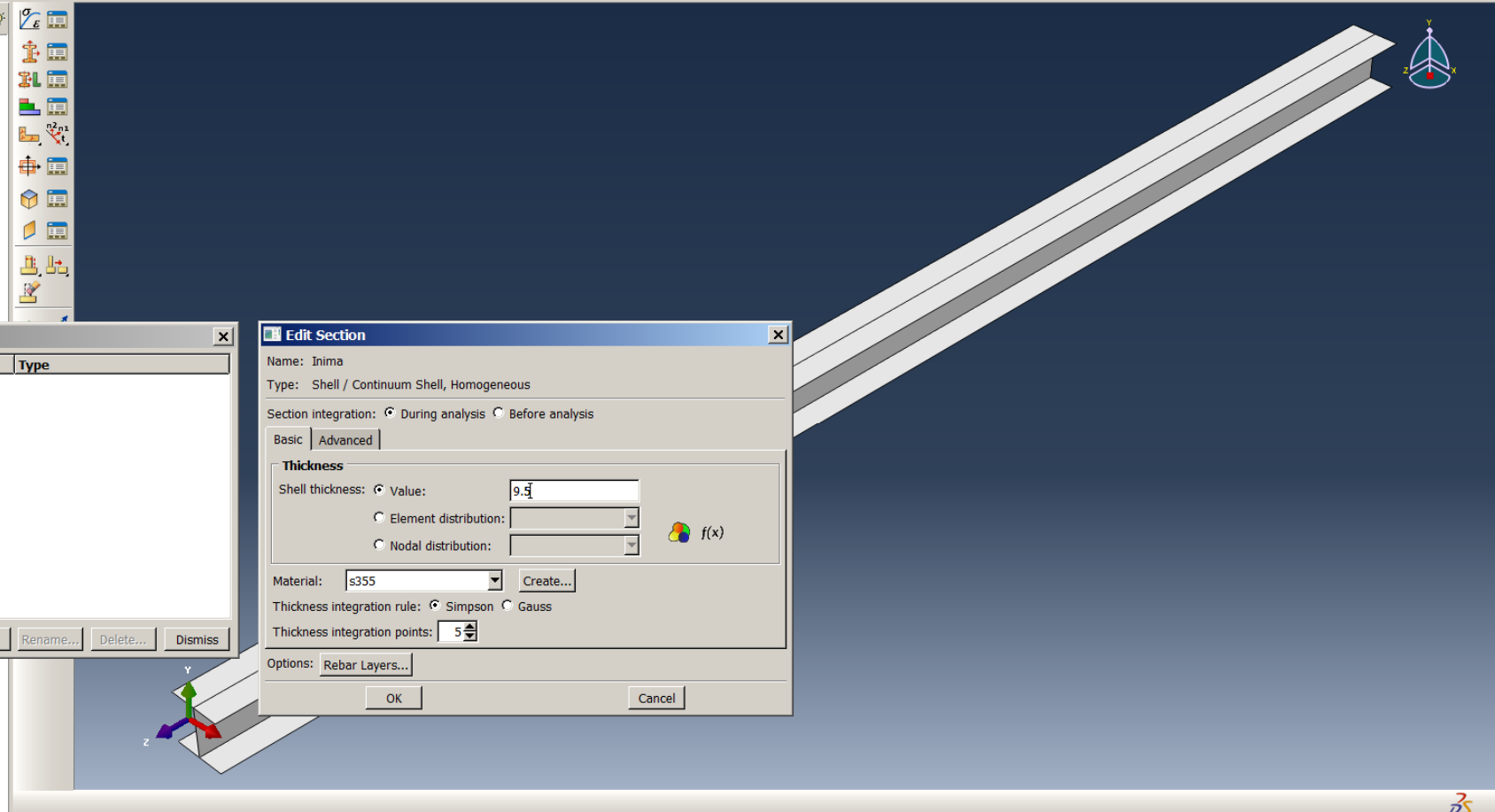
Shell thickness: Value: 9.5 Element distribution: Nodal distribution: f(x)

Material: s355

Thickness integration rule: Simpson Gauss

Thickness integration points: 5

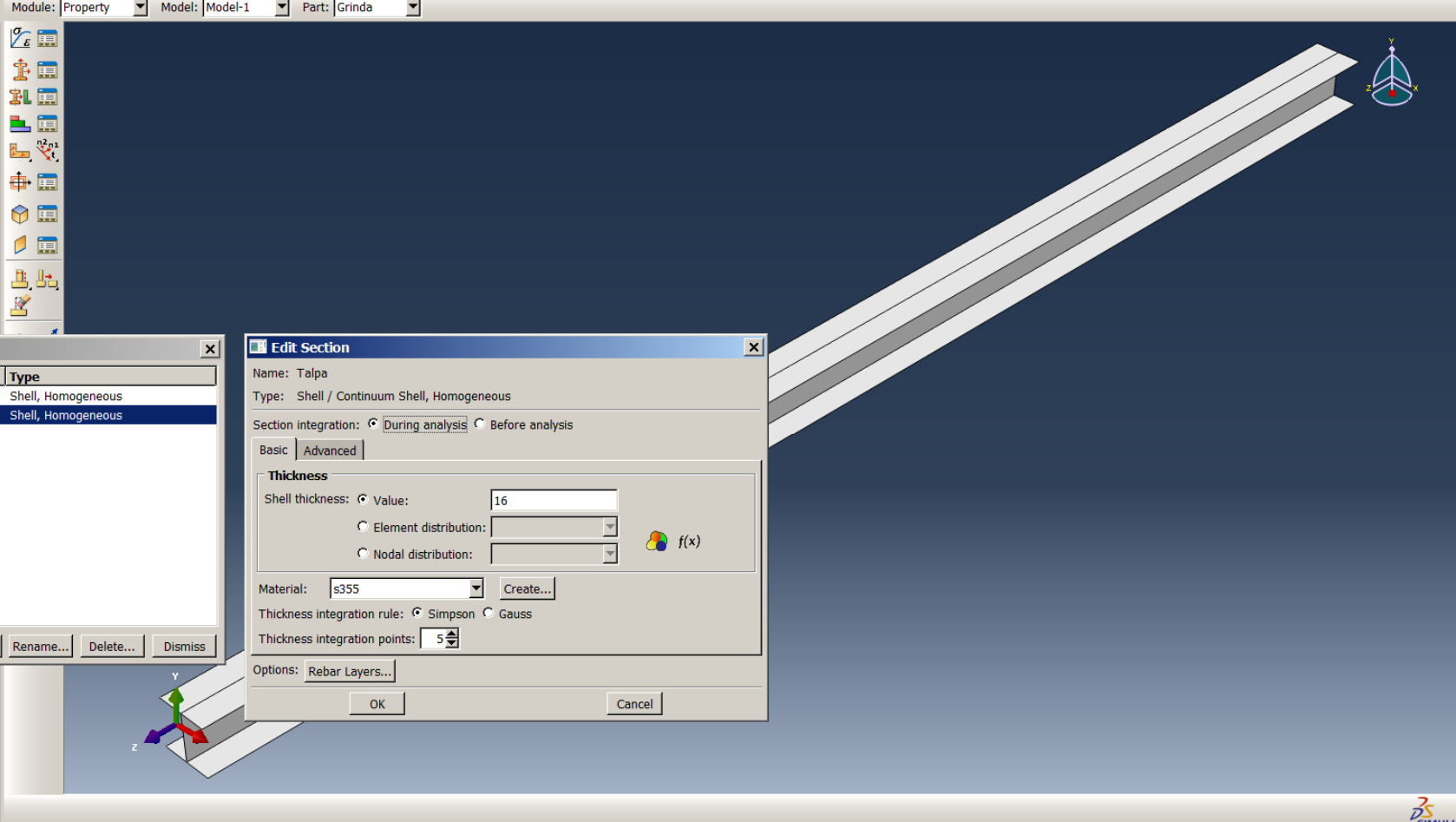
Options:



Warning: Warning: Permission was denied for "abaqus.rpy"; "abaqus.rpy.140" will be used for this session's replay file.

Model Database

- Models (1)
 - Model-1
 - Parts (1)
 - Materials (1)
 - Sections (2)
 - Profiles
 - Assembly
 - Steps (1)
 - Field Output Requests
 - History Output Requests
 - Time Points
 - ALE Adaptive Mesh Constraints
 - Interactions
 - Interaction Properties
 - Contact Controls
 - Contact Initializ
 - Constraints
 - Connector Sect
 - Fields
 - Amplitudes
 - Loads
 - BCs
 - Predefined Field
 - Remeshing Rul
 - Sketches
 - Annotations
 - Analysis
 - Jobs
 - Adaptivity Process
 - Co-executions



Name	Type
Inima	Shell, Homogeneous
Talpa	Shell, Homogeneous

Create... Edit... Copy... Rename... Delete... Dismiss

Edit Section

Name: Talpa
Type: Shell / Continuum Shell, Homogeneous

Section integration: During analysis Before analysis

Basic | Advanced

Thickness

Shell thickness: Value:
 Element distribution:
 Nodal distribution:

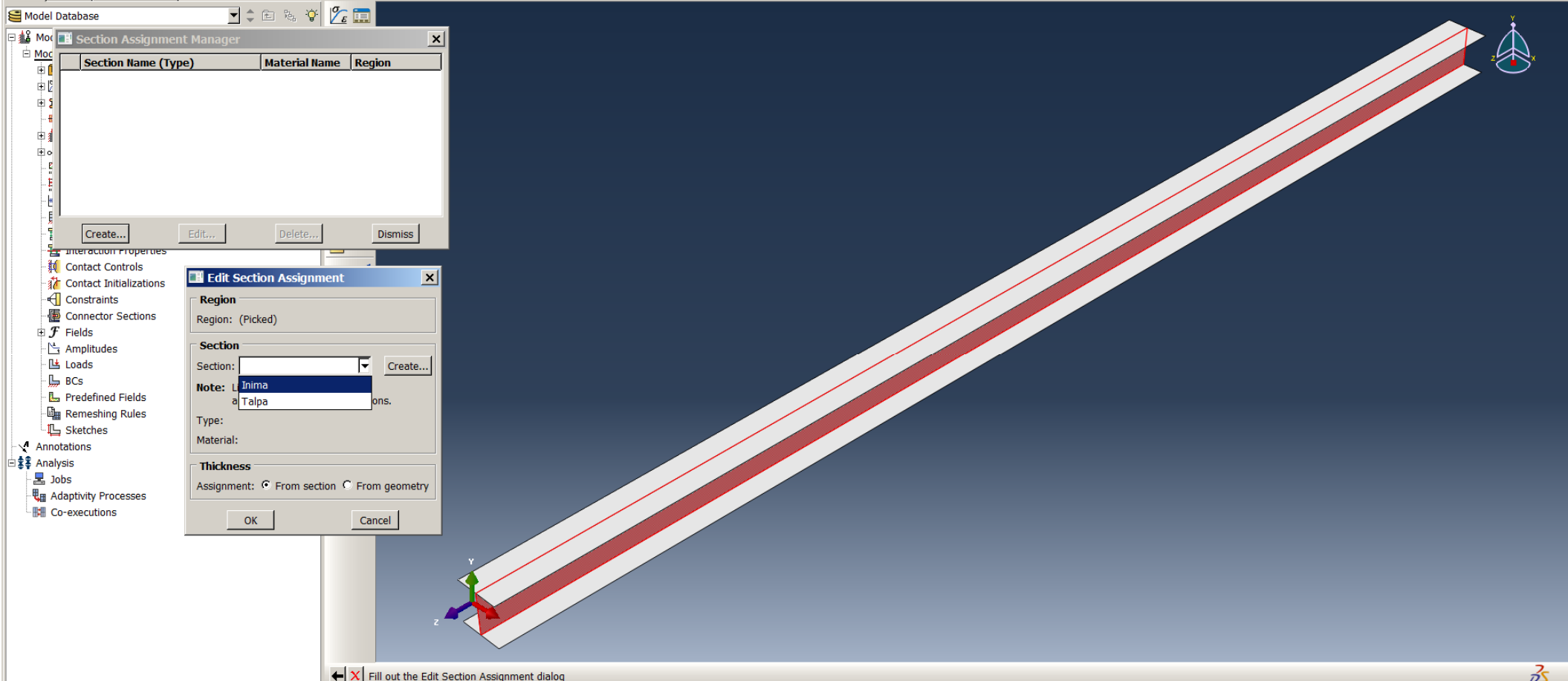
Material:

Thickness integration rule: Simpson Gauss

Thickness integration points:

Options:

Warning: Warning: Permission was denied for "abaqus.rpy"; "abaqus.rpy.140" will be used for this session's replay file.



Warning: Warning: Permission was denied for "abaqus.rpy"; "abaqus.rpy.140" will be used for this session's replay file.

Section Name (Type)	Material Name	Region
✓ Inima (Shell, Homogeneous)	s355	(Picked)

Edit Section Assignment

Region
Region: (Picked)

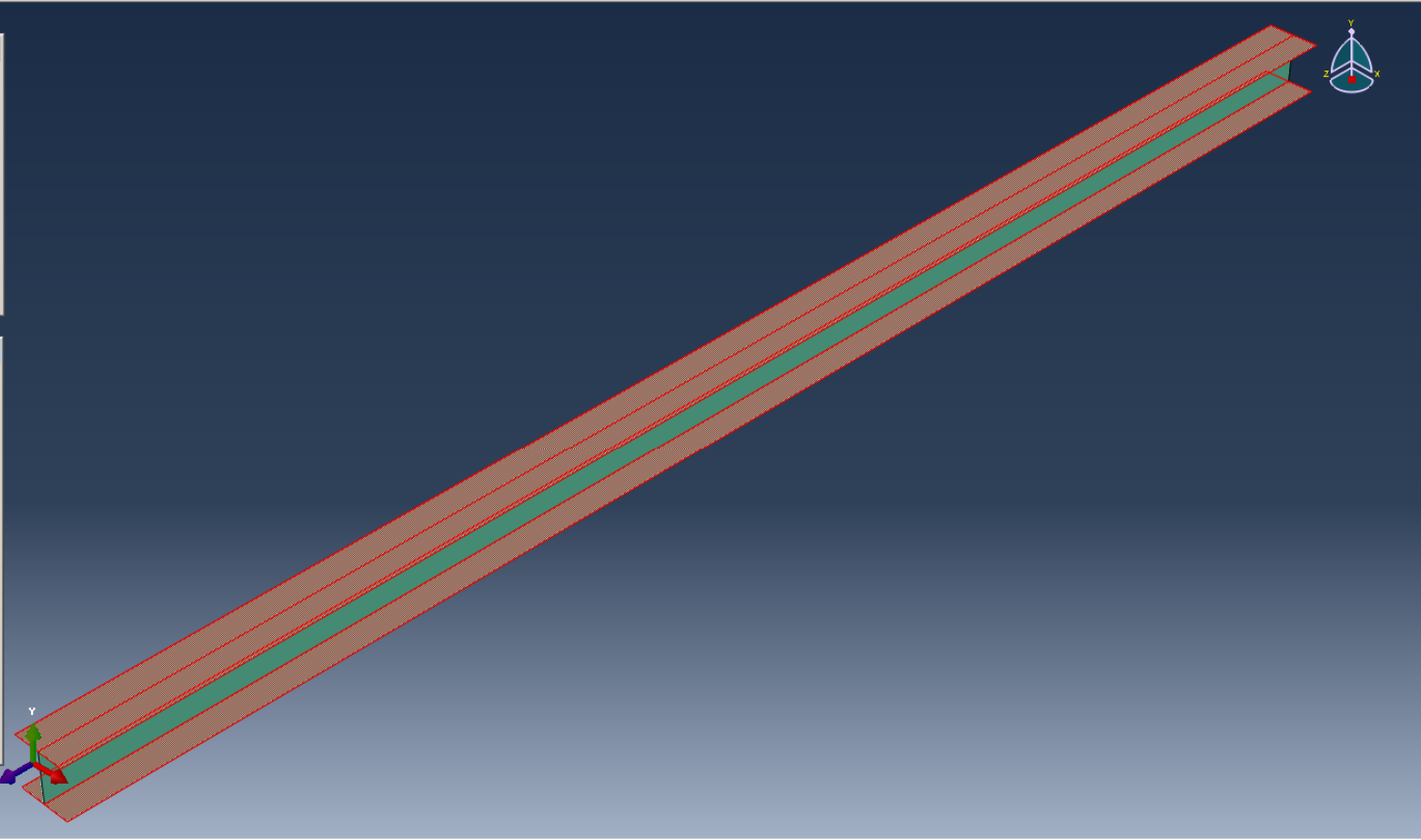
Section
Section: Talpa Create...
Note: List contains only sections applicable to the selected regions.

Type: Shell, Homogeneous
Material: s355

Thickness
Assignment: From section From geometry

Shell Offset
Definition: Middle surface Create...

OK Cancel



Fill out the Edit Section Assignment dialog

Warning: Warning: Permission was denied for "abaqus.rpy"; "abaqus.rpy.140" will be used for this session's replay file.

Create Instance

Parts

- Grinda

Instance Type

Dependent (mesh on part)

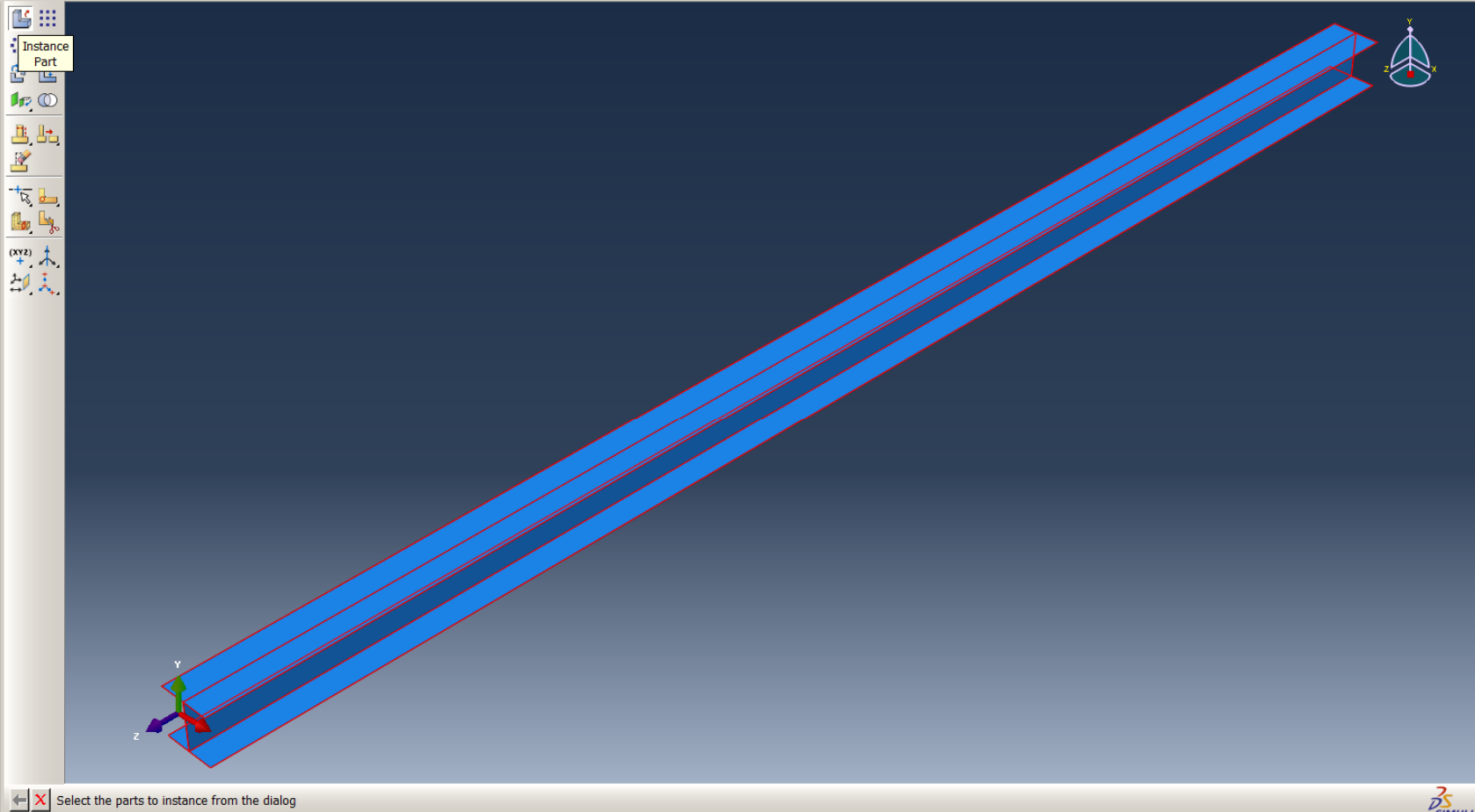
Independent (mesh on instance)

Note: To change a Dependent instance's mesh, you must edit its part's mesh.

Auto-offset from other instances

OK Apply Cancel

- Connector Sections
- Fields
 - Amplitudes
 - Loads
 - BCs
 - Predefined Fields
 - Remeshing Rules
 - Sketches
- Annotations
- Analysis
 - Jobs
 - Adaptivity Processes
 - Co-executions

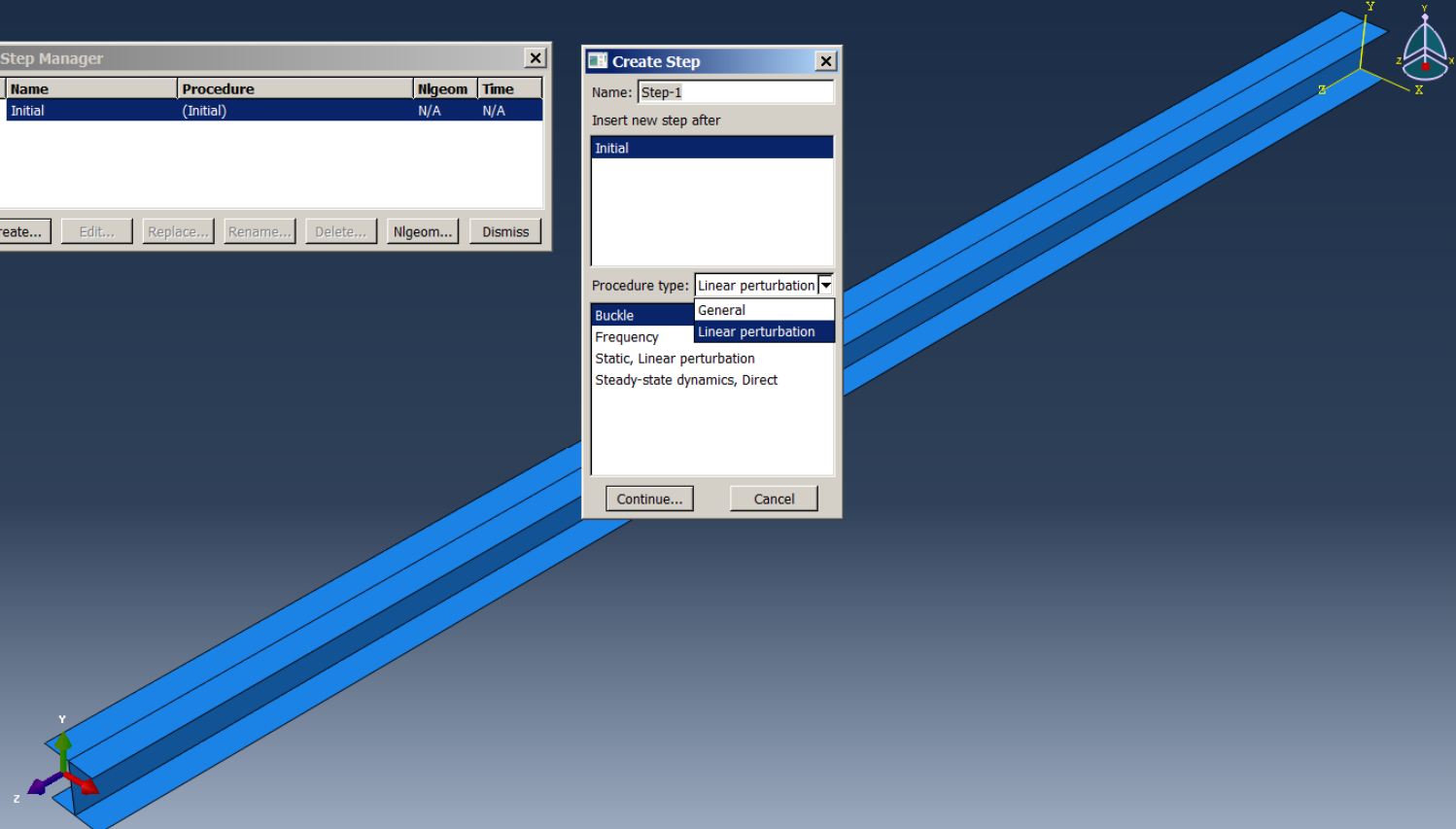


Warning: Warning: Permission was denied for "abaqus.rpy"; "abaqus.rpy.140" will be used for this session's replay file.

Model Database

- Models (1)
 - Model-1
 - Parts (1)
 - Materials (1)
 - Sections (2)
 - Profiles
 - Assembly
 - Steps (1)
 - Field Output Requests
 - History Output Requests
 - Time Points
 - ALE Adaptive Mesh Constraints
 - Interactions
 - Interaction Properties
 - Contact Controls
 - Contact Initializations
 - Constraints
 - Connector Sections
 - Fields
 - Amplitudes
 - Loads
 - BCs
 - Predefined Fields
 - Remeshing Rules
 - Sketches
 - Annotations
 - Analysis
 - Jobs
 - Adaptivity Processes
 - Co-executions

Module: Step Model: Model-1 Step: Initial



Step Manager

Name	Procedure	Nlgeom	Time
Initial	(Initial)	N/A	N/A

Create... Edit... Replace... Rename... Delete... Nlgeom... Dismiss

Create Step

Name: Step-1

Insert new step after

Initial

Procedure type: Linear perturbation

Buckle: General

Frequency: Linear perturbation

Static, Linear perturbation

Steady-state dynamics, Direct

Continue... Cancel

Warning: Warning: Permission was denied for "abaqus.rpy"; "abaqus.rpy.140" will be used for this session's replay file.

Model Database

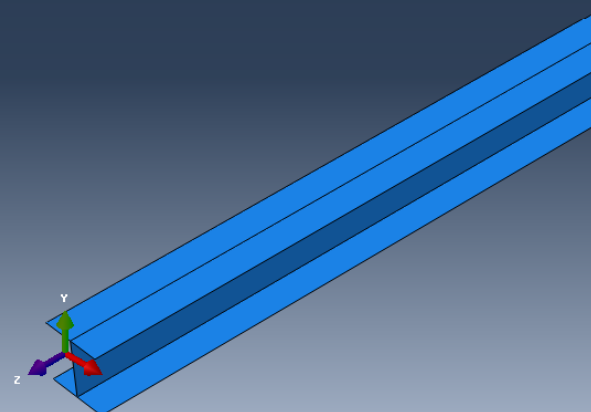
- Models (1)
 - Model-1
 - Parts (1)
 - Materials (1)
 - Sections (2)
 - Profiles
 - Assembly
 - Steps (1)
 - Field Output Requests
 - History Output Requests
 - Time Points
 - ALE Adaptive Mesh Constraints
 - Interactions
 - Interaction Properties
 - Contact Controls
 - Contact Initializations
 - Constraints
 - Connector Sections
 - Fields
 - Amplitudes
 - Loads
 - BCs
 - Predefined Fields
 - Remeshing Rules
 - Sketches
 - Annotations
 - Analysis
 - Jobs
 - Adaptivity Processes
 - Co-executions

Module: Step Model: Model-1 Step: Initial

Step Manager

Name	Procedure	Nlgeom	Time
Initial	(Initial)	N/A	N/A

Create... Edit... Replace... Rename... Delete... Nlgeom... Dismiss



Edit Step

Name: Step-1
Type: Buckle

Basic Other

Description:

Nlgeom: Off

Eigensolver: Lanczos Subspace

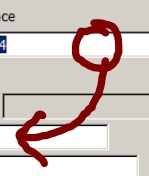
Number of eigenvalues requested: 4

Maximum eigenvalue of interest:

Vectors used per iteration: 8

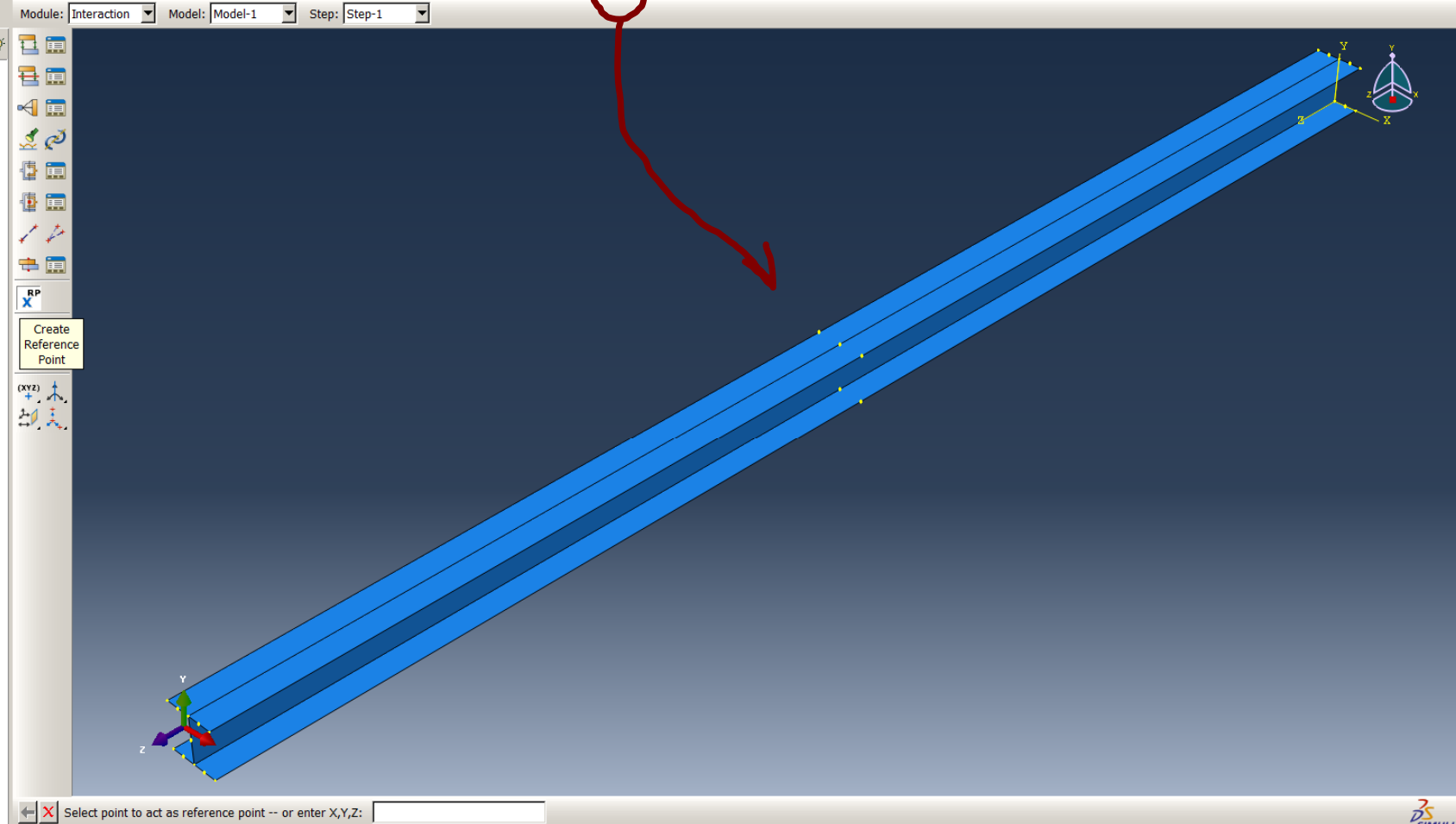
Maximum number of iterations: 30

OK Cancel



Warning: Warning: Permission was denied for "abaqus.rpy"; "abaqus.rpy.140" will be used for this session's replay file.

- Model Database
- Models (1)
 - Model-1
 - Parts (1)
 - Materials (1)
 - Sections (2)
 - Profiles
 - Assembly
 - Steps (2)
 - Field Output Requests (1)
 - History Output Requests
 - Time Points
 - ALE Adaptive Mesh Constraints
 - Interactions
 - Interaction Properties
 - Contact Controls
 - Contact Initializations
 - Constraints
 - Connector Sections
 - Fields
 - Amplitudes
 - Loads
 - BCs
 - Predefined Fields
 - Remeshing Rules
 - Sketches
 - Annotations
 - Analysis
 - Jobs
 - Adaptivity Processes
 - Co-executions



Warning: Warning: Permission was denied for "abaqus.rpy"; "abaqus.rpy.140" will be used for this session's replay file.

Model Database

- Models (1)
 - Model-1
 - Parts (1)
 - Materials (1)
 - Sections (2)
 - Profiles
 - Assembly
 - Steps (2)
 - Field Output Requests (1)
 - History Output Requests
 - Time Points
 - ALE Adaptive Mesh Constraints
 - Interactions
 - Interaction Properties
 - Contact Controls
 - Contact Initializations
 - Constraints
 - Connector Sections
 - Fields
 - Amplitudes
 - Loads
 - BCs
 - Predefined Fields
 - Remeshing Rules
 - Sketches

Annotations

Analysis

- Jobs
- Adaptivity Processes
- Co-executions

Module: Interaction Model: Model-1 Step: Step-1

Render Model: Wireframe

Select point to act as reference point -- or enter X,Y,Z:

Warning: Warning: Permission was denied for "abaqus.rpy"; "abaqus.rpy.140" will be used for this session's replay file.

Model Database

- Models (1)
 - Model-1
 - Parts (1)
 - Materials (1)
 - Sections (2)
 - Profiles
 - Assembly
 - Steps (2)
 - Field Output Requests (1)
 - History Output Requests
 - Time Points
 - ALE Adaptive Mesh Constraints
 - Interactions
 - Interaction Properties
 - Contact Controls
 - Contact Initializations
 - Constraints
 - Connector Sections
 - Fields
 - Amplitudes
 - Loads
 - BCs
 - Predefined Fields
 - Remeshing Rules
 - Sketches
 - Annotations
 - Analysis
 - Jobs
 - Adaptivity Processes
 - Co-executions

Module: Interaction Model: Model-1 Step: Step-1

RP 2

Copy To Selection Group
Paste From Selection Groups...
Previous Step
Cancel Procedure

Select point to act as reference point -- or enter X,Y,Z:

Warning: Warning: Permission was denied for "abaqus.rpy"; "abaqus.rpy.140" will be used for this session's replay file.

Model Database

- Models (1)
 - Model-1
 - Parts (1)
 - Materials (1)
 - Sections (2)

Module: Interaction Model: Model-1 Step: Step-1

RP-1

Constraint Manager

Name	Type
------	------

Create... Edit... Copy... Rename... Delete... Dismiss

Create Constraint

Name: Constraint-1

Type

- Tie
- Rigid body**
- Display body
- Coupling
- MPC Constraint
- Shell-to-solid coupling
- Embedded region
- Equation

Continue... Cancel

- Loads
 - BCs
 - Predefined Fields
 - Remeshing Rules
 - Sketches
- Annotations
- Analysis
 - Jobs
 - Adaptivity Processes
 - Co-executions

Warning: Warning: Permission was denied for "abaqus.rpy"; "abaqus.rpy.140" will be used for this session's replay file.

Model Database

- Models (1)
 - Model-1
 - Parts (1)
 - Materials (1)

Constraint Manager

Name	Type
------	------

Create... Edit... Copy... Rename... Delete... Dismiss

Create Constraint

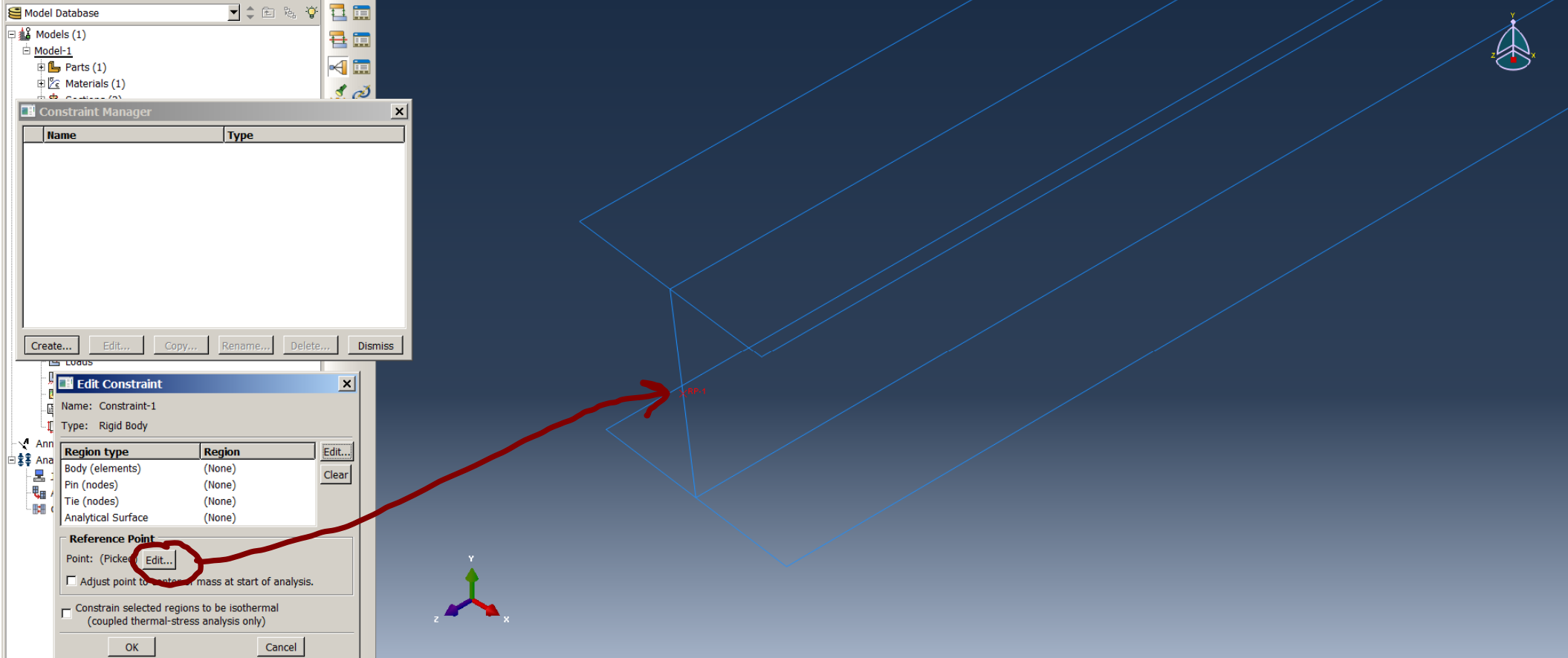
Name: Constraint-1

Type

- Tie
- Rigid body
- Display body
- Coupling
- MPC Constraint
- Shell-to-solid coupling
- Embedded region
- Equation

Continue... Cancel

Warning: Warning: Permission was denied for "abaqus.rpy"; "abaqus.rpy.140" will be used for this session's replay file.



Warning: Warning: Permission was denied for "abaqus.rpy"; "abaqus.rpy.140" will be used for this session's replay file.

Model Database

- Models (1)
 - Model-1
 - Parts (1)
 - Materials (1)

Constraint Manager

Name	Type
------	------

Create... Edit... Copy... Rename... Delete... Dismiss

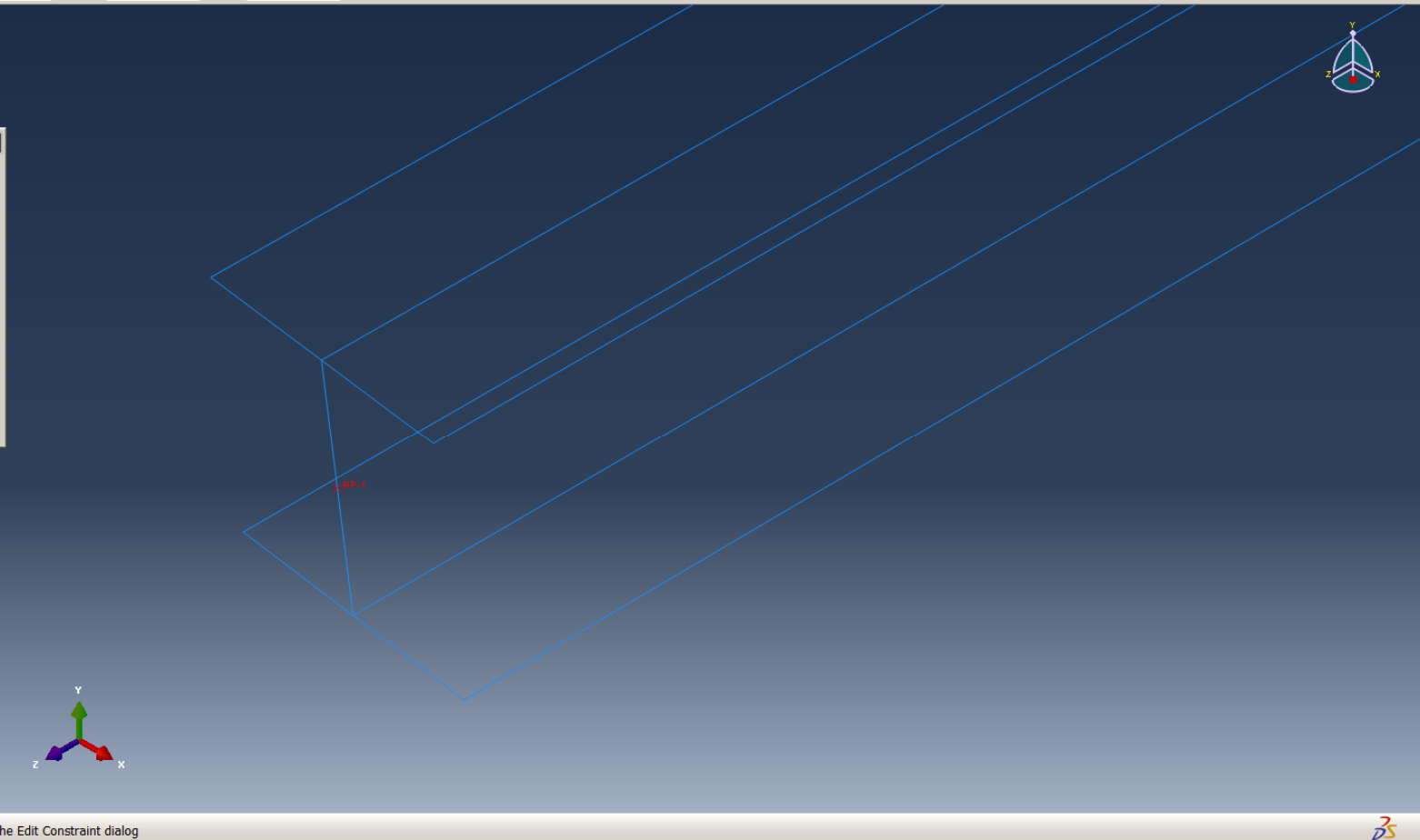
Edit Constraint

Name: Constraint-1
Type: Rigid Body

Region type	Region
Body (elements)	(None)
Pin (nodes)	(None)
Tie (nodes)	(None)
Analytical Surface	(None)

Reference Point
Point: (Picked) Edit...
 Adjust point to center of mass at start of analysis.
 Constrain selected regions to be isothermal (coupled thermal-stress analysis only)

OK Cancel



Warning: Warning: Permission was denied for "abaqus.rpy"; "abaqus.rpy.140" will be used for this session's replay file.

Model Database

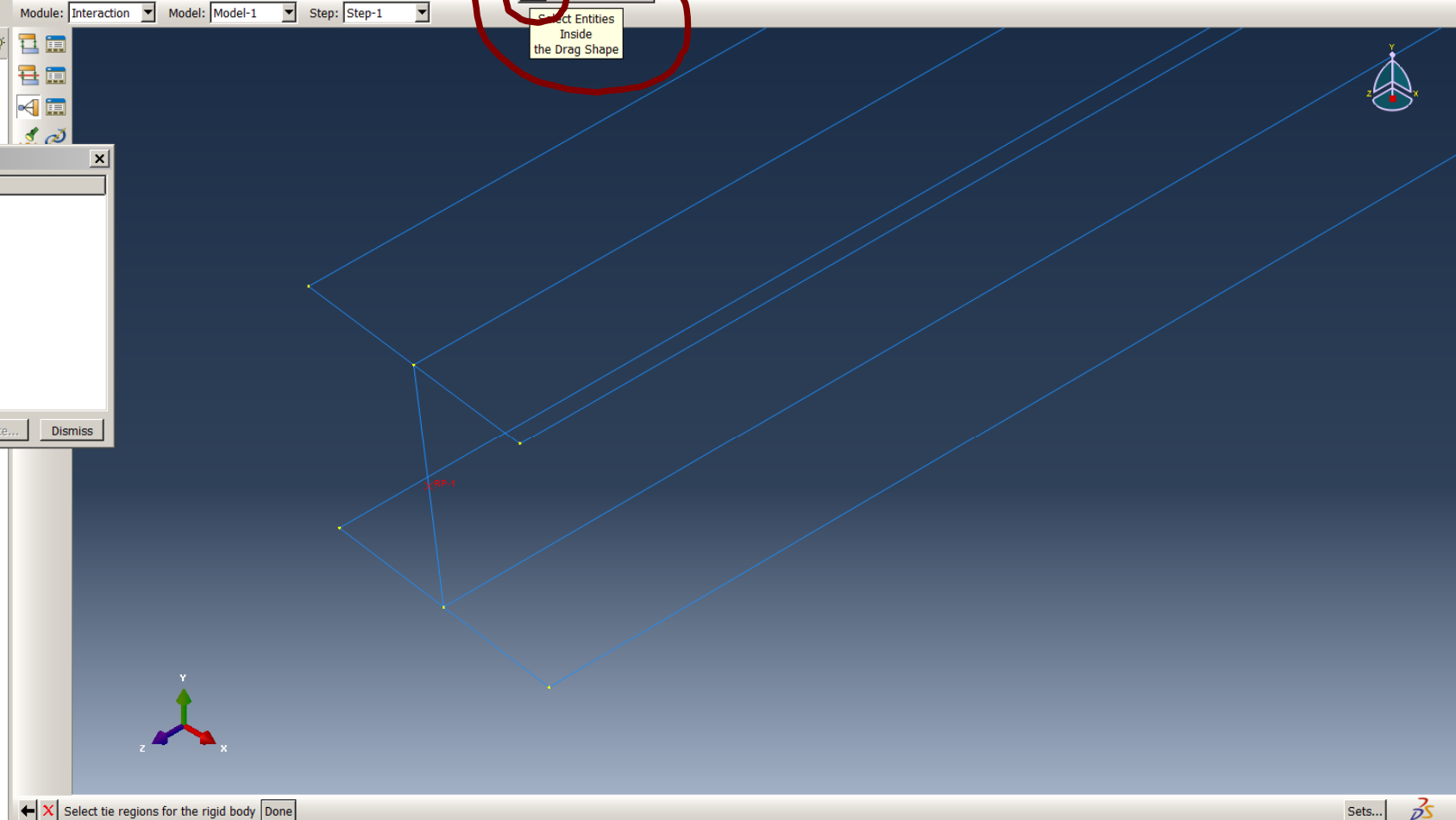
- Models (1)
 - Model-1
 - Parts (1)
 - Materials (1)

Constraint Manager

Name	Type
------	------

Create... Edit... Copy... Rename... Delete... Dismiss

- BCs
- Predefined Fields
- Remeshing Rules
- Sketches
- Annotations
- Analysis
 - Jobs
 - Adaptivity Processes
 - Co-executions



Warning: Warning: Permission was denied for "abaqus.rpy"; "abaqus.rpy.140" will be used for this session's replay file.

Model Database

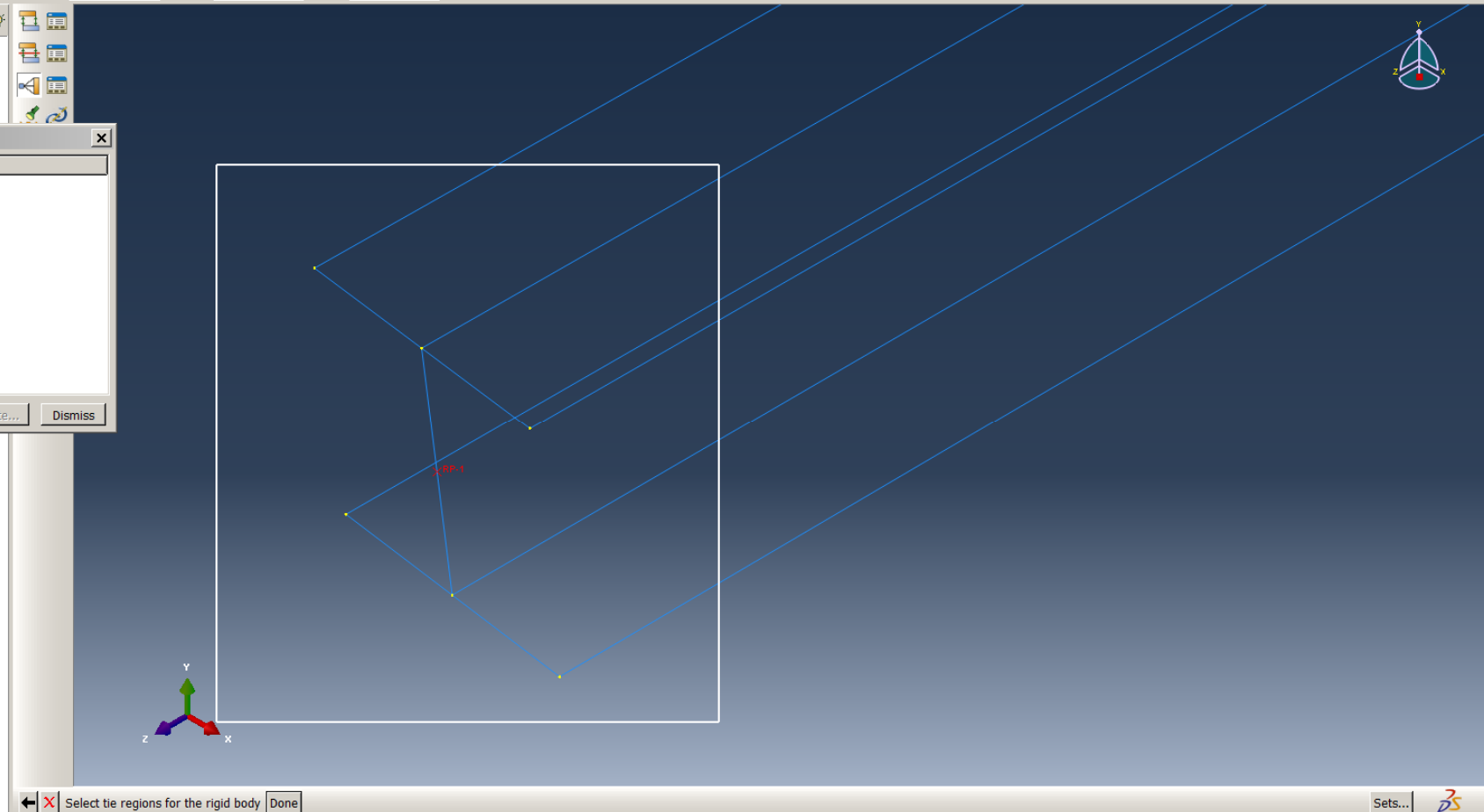
- Models (1)
 - Model-1
 - Parts (1)
 - Materials (1)

Constraint Manager

Name	Type
------	------

Create... Edit... Copy... Rename... Delete... Dismiss

- BCs
- Predefined Fields
- Remeshing Rules
- Sketches
- Annotations
- Analysis
 - Jobs
 - Adaptivity Processes
 - Co-executions



Warning: Warning: Permission was denied for "abaqus.rpy"; "abaqus.rpy.140" will be used for this session's replay file.

Model Database

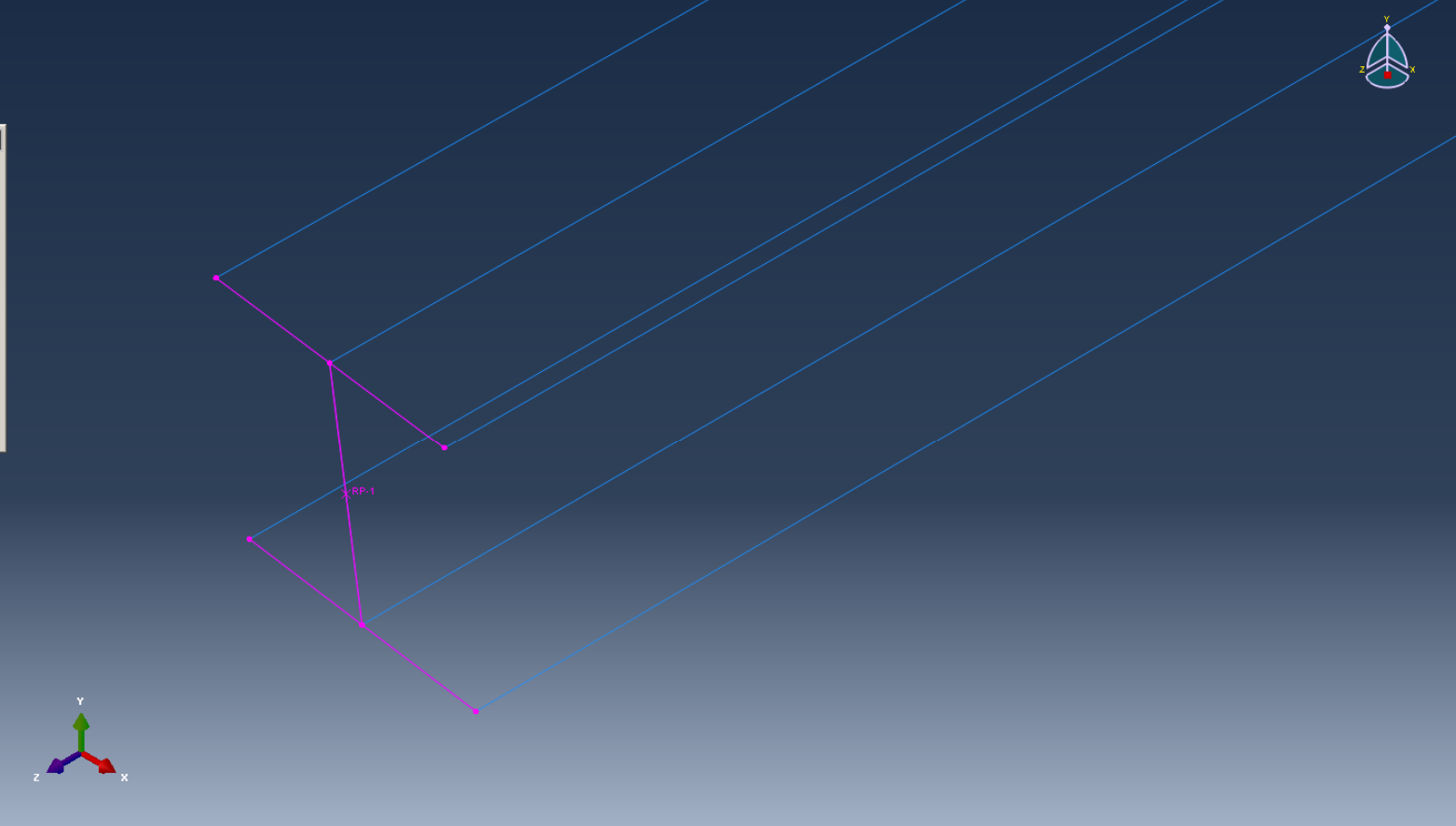
- Models (1)
 - Model-1
 - Parts (1)
 - Materials (1)

Constraint Manager

Name	Type
------	------

Create... Edit... Copy... Rename... Delete... Dismiss

- Load
- BCs
- Predefined Fields
- Remeshing Rules
- Sketches
- Annotations
- Analysis
 - Jobs
 - Adaptivity Processes
 - Co-executions



Select tie regions for the rigid body Done

Warning: Warning: Permission was denied for "abaqus.rpy"; "abaqus.rpy.140" will be used for this session's replay file.

Model Database

- Models (1)
 - Model-1
 - Parts (1)
 - Materials (1)

Constraint Manager

Name	Type
------	------

Create... Edit... Copy... Rename... Delete... Dismiss

Edit Constraint

Name: Constraint-1
Type: Rigid Body

Region type	Region
Body (elements)	(None)
Pin (nodes)	(None)
Tie (nodes)	(Picked)
Analytical Surface	(None)

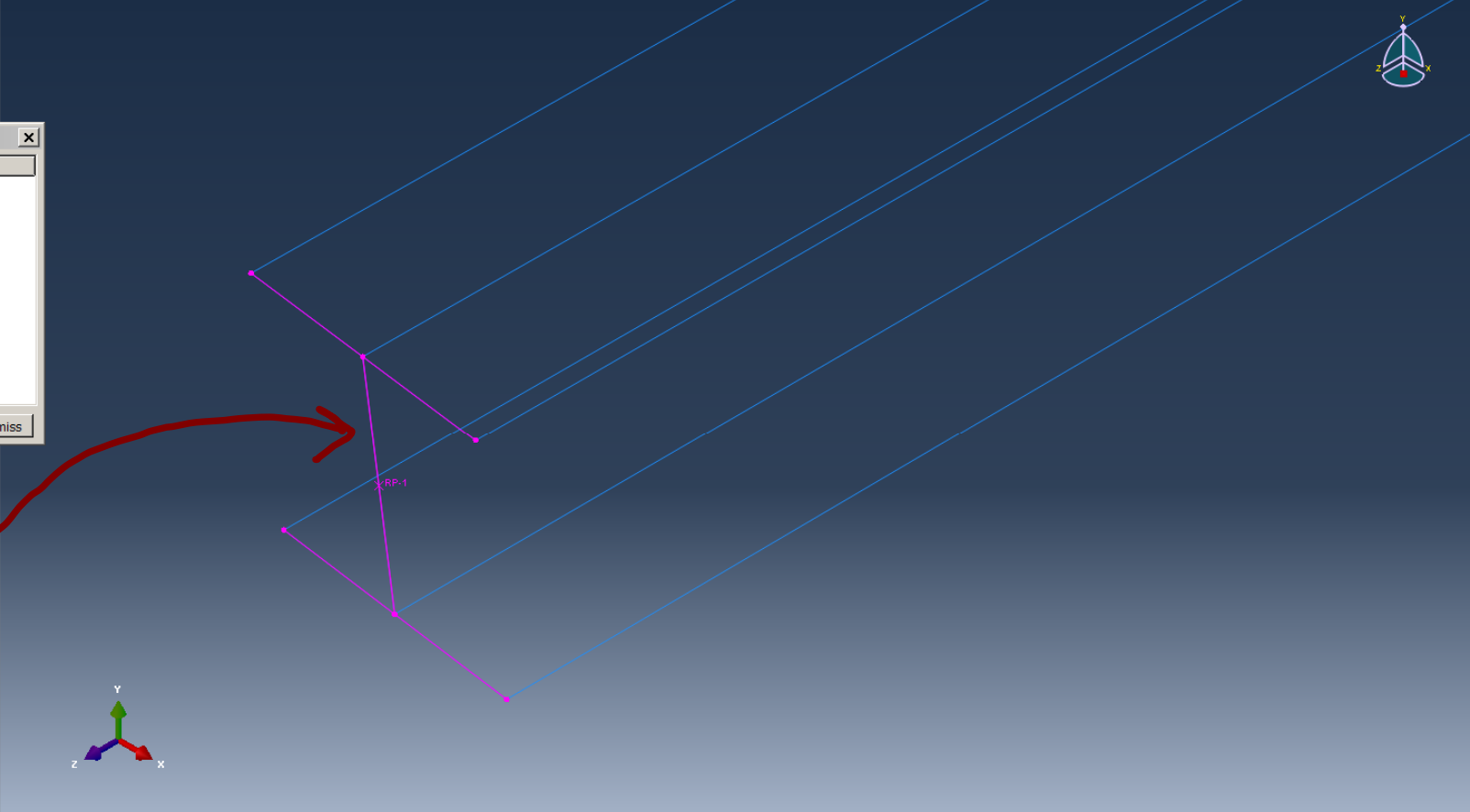
Reference Point

Point: (Picked) Edit...

Adjust point to center of mass at start of analysis.

Constrain selected regions to be isothermal (coupled thermal-stress analysis only)

OK Cancel



Warning: Warning: Permission was denied for "abaqus.rpy"; "abaqus.rpy.140" will be used for this session's replay file.

Model Database

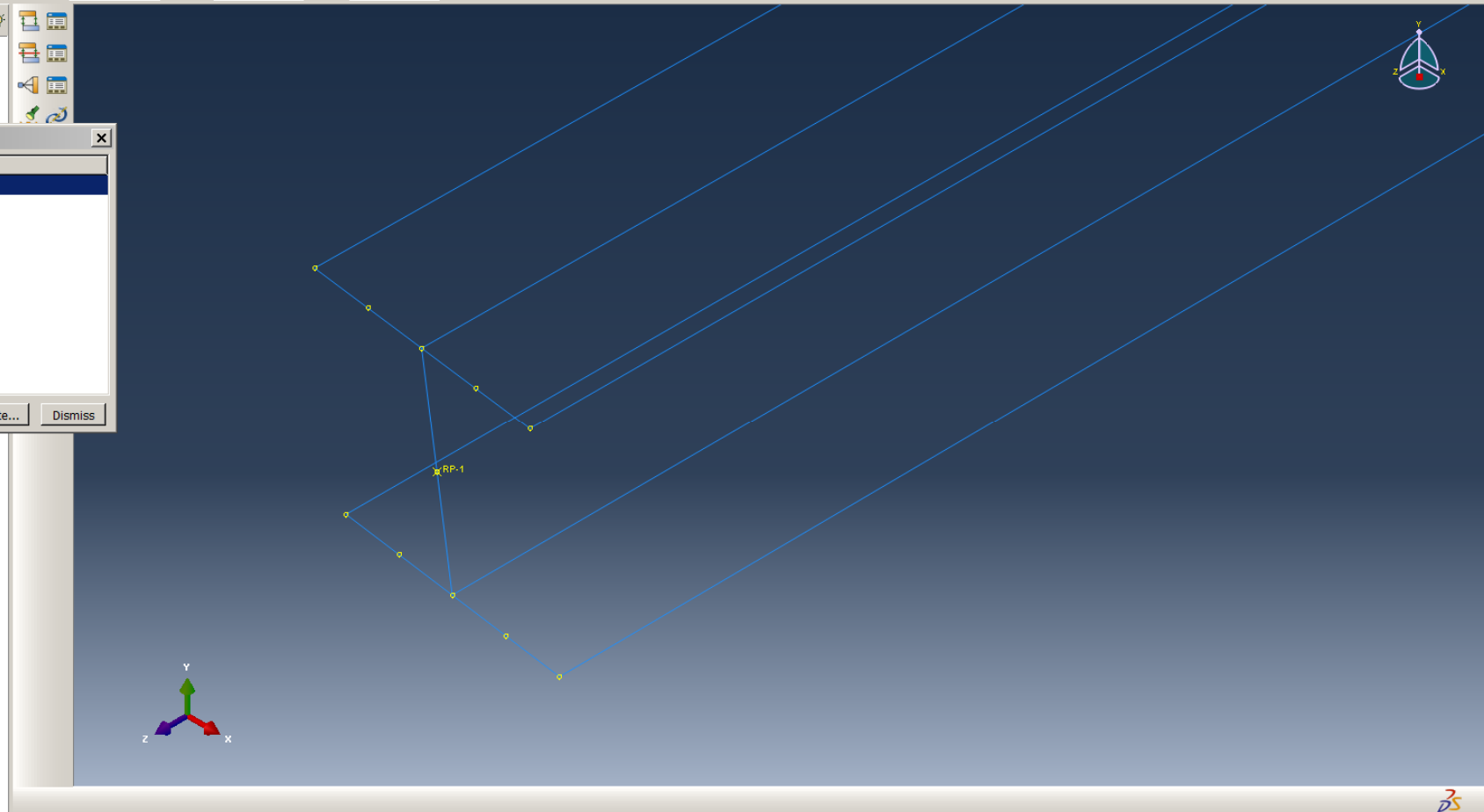
- Models (1)
 - Model-1
 - Parts (1)
 - Materials (1)

Constraint Manager

Name	Type
✓ Constraint-1	Rigid body

Create... Edit... Copy... Rename... Delete... Dismiss

- LCRUS
 - BCs
 - Predefined Fields
 - Remeshing Rules
 - Sketches
- Annotations
- Analysis
 - Jobs
 - Adaptivity Processes
 - Co-executions



Warning: Warning: Permission was denied for "abaqus.rpy"; "abaqus.rpy.140" will be used for this session's replay file.

Model Database

- Models (1)
 - Model-1
 - Parts (1)
 - Materials (1)

Constraint Manager

Name	Type
Constraint-1	Rigid body

Create... Edit... Copy... Rename... Delete... Dismiss

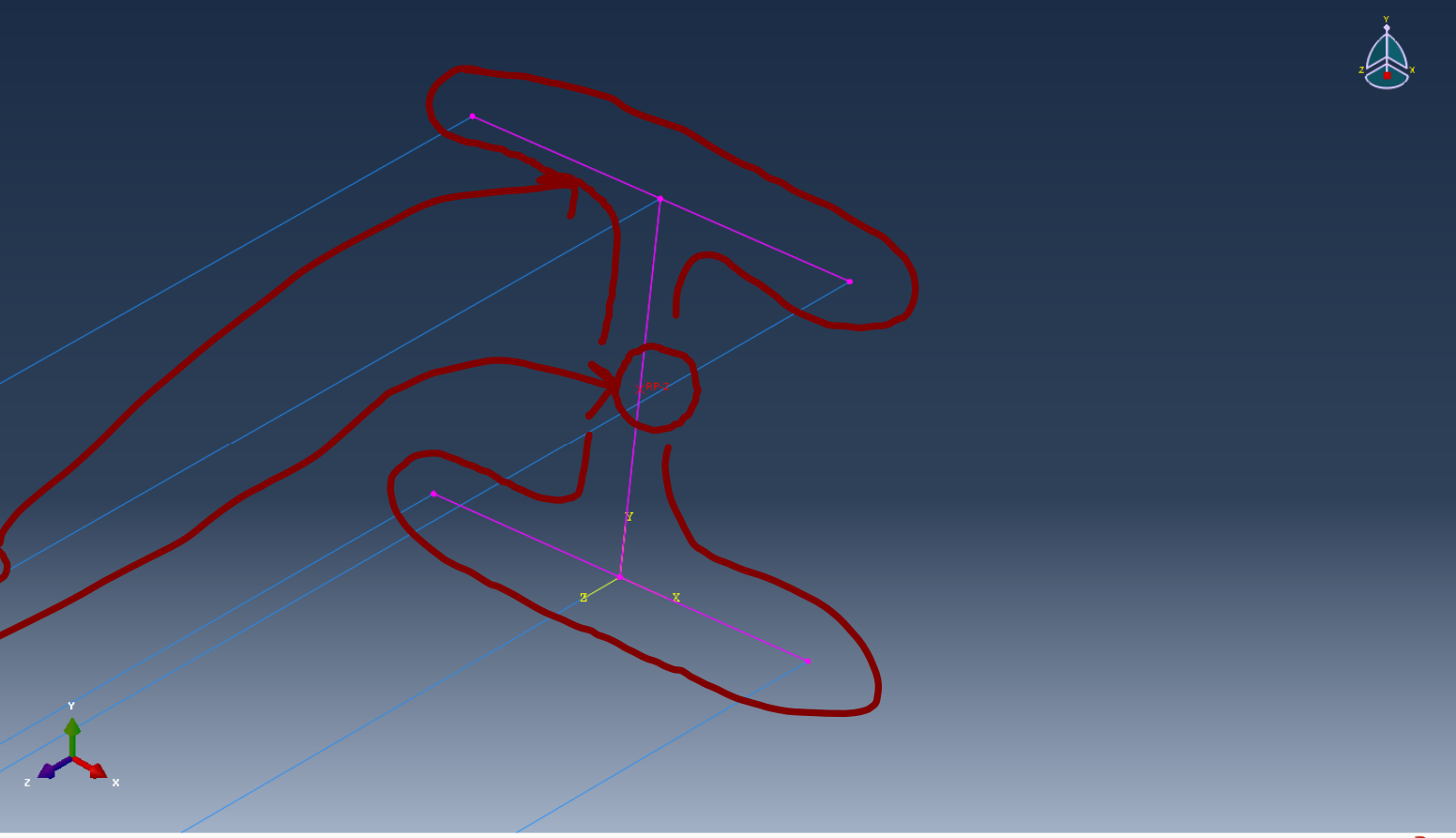
Edit Constraint

Name: Constraint-2
Type: Rigid Body

Region type	Region
Body (elements)	(None)
Pin (nodes)	(None)
Tie (nodes)	(Picked)
Analytical Surface	(None)

Reference Point
Point: (Picked) Edit...
 Adjust point to center of mass at start of analysis.
 Constrain selected regions to be isothermal (coupled thermal-stress analysis only)

OK Cancel

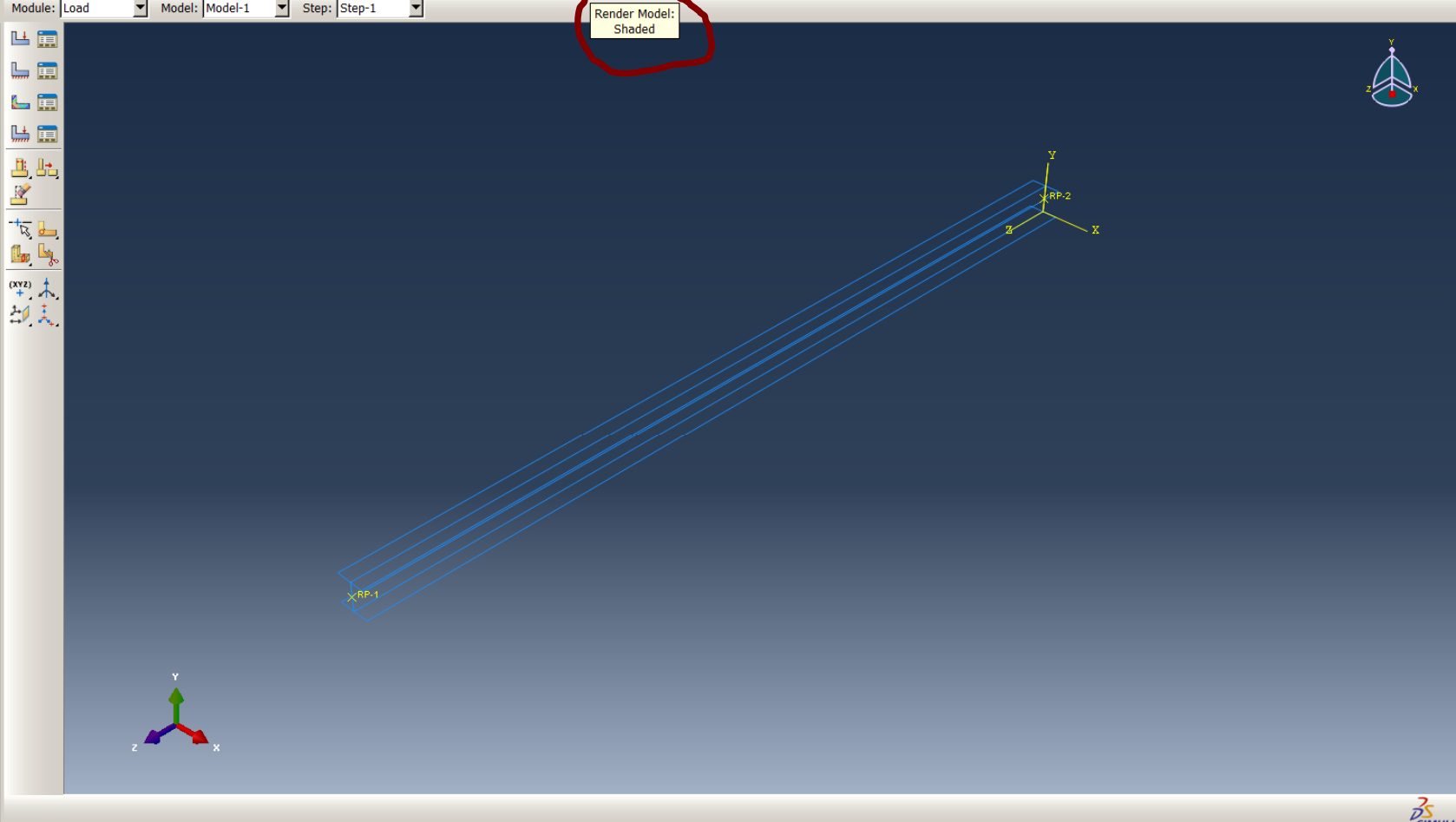


Warning: Warning: Permission was denied for "abaqus.rpy"; "abaqus.rpy.140" will be used for this session's replay file.

Start [Icons] [Taskbar]

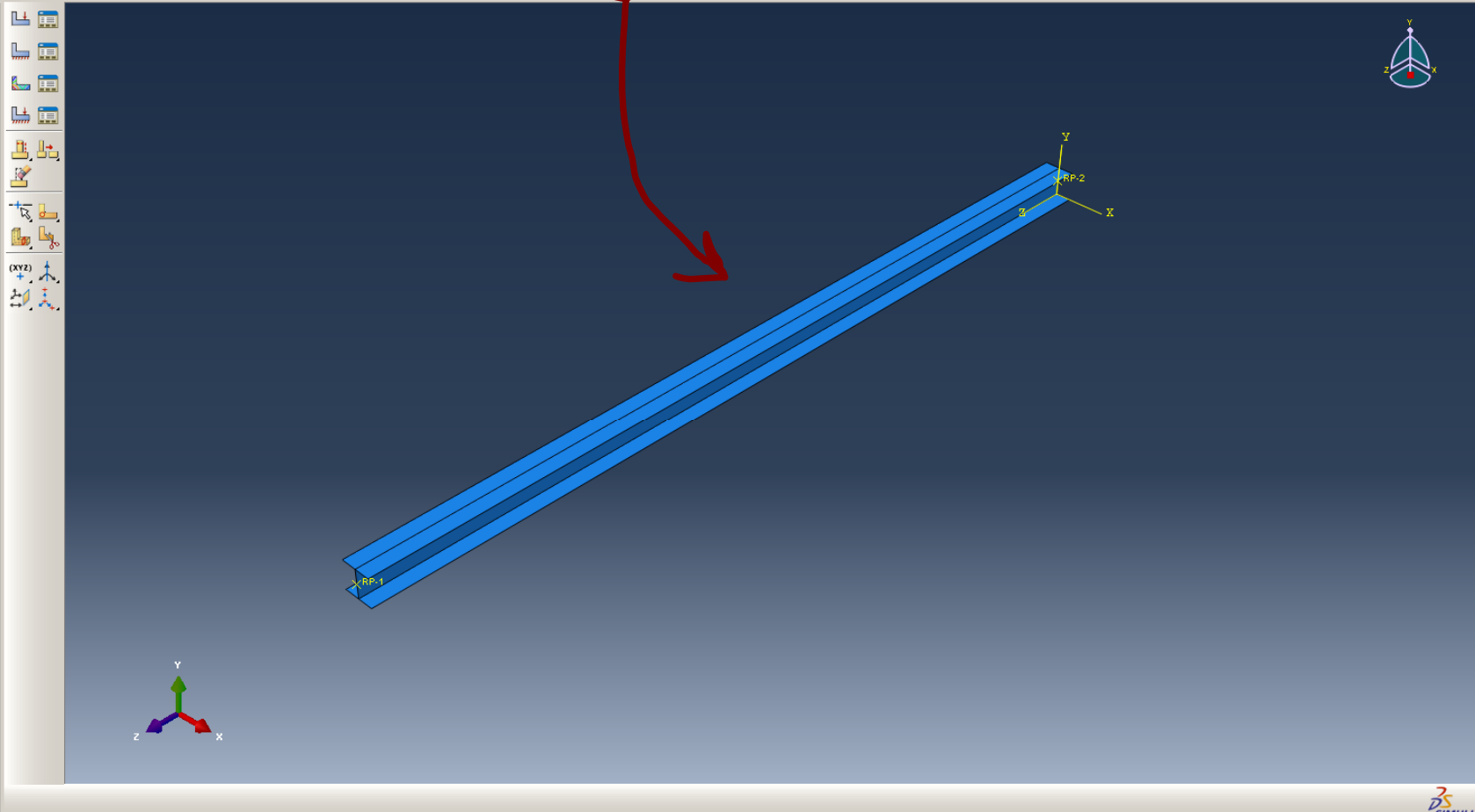
Model Database

- Models (1)
 - Model-1
 - Parts (1)
 - Materials (1)
 - Sections (2)
 - Profiles
 - Assembly
 - Steps (2)
 - Field Output Requests (1)
 - History Output Requests
 - Time Points
 - ALE Adaptive Mesh Constraints
 - Interactions
 - Interaction Properties
 - Contact Controls
 - Contact Initializations
 - Constraints (2)
 - Connector Sections
 - Fields
 - Amplitudes
 - Loads
 - BCs
 - Predefined Fields
 - Remeshing Rules
 - Sketches
 - Annotations
 - Analysis
 - Jobs
 - Adaptivity Processes
 - Co-executions



Warning: Warning: Permission was denied for "abaqus.rpy"; "abaqus.rpy.140" will be used for this session's replay file.

- Model Database
- Models (1)
 - Model-1
 - Parts (1)
 - Materials (1)
 - Sections (2)
 - Profiles
 - Assembly
 - Steps (2)
 - Field Output Requests (1)
 - History Output Requests
 - Time Points
 - ALE Adaptive Mesh Constraints
 - Interactions
 - Interaction Properties
 - Contact Controls
 - Contact Initializations
 - Constraints (2)
 - Connector Sections
 - Fields
 - Amplitudes
 - Loads
 - BCs
 - Predefined Fields
 - Remeshing Rules
 - Sketches
 - Annotations
 - Analysis
 - Jobs
 - Adaptivity Processes
 - Co-executions



Warning: Warning: Permission was denied for "abaqus.rpy"; "abaqus.rpy.140" will be used for this session's replay file.

Load Manager

Name	Step-1
------	--------

Step procedure:
Load type:
Load:

Create... Copy... Rename... Delete... Dismiss

Create Load

Name: Incarcarea

Step: Step-1

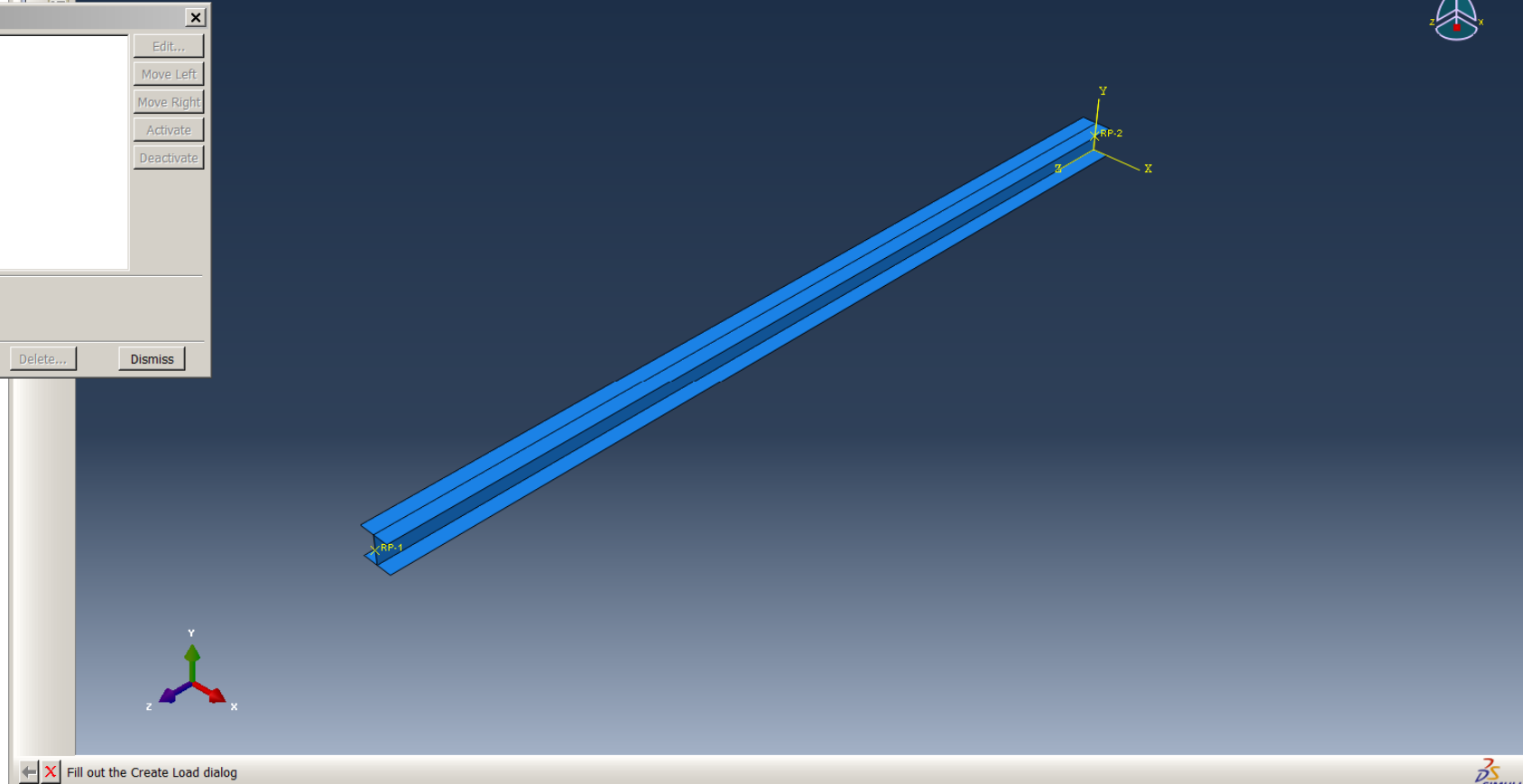
Procedure: Buckle

Category: Mechanical

Types for Selected Step:

- Concentrated force
- Moment
- Pressure
- Shell edge load
- Surface traction
- Body force
- Line load
- Gravity
- Pipe pressure
- Generalized plane strain

Continue... Cancel



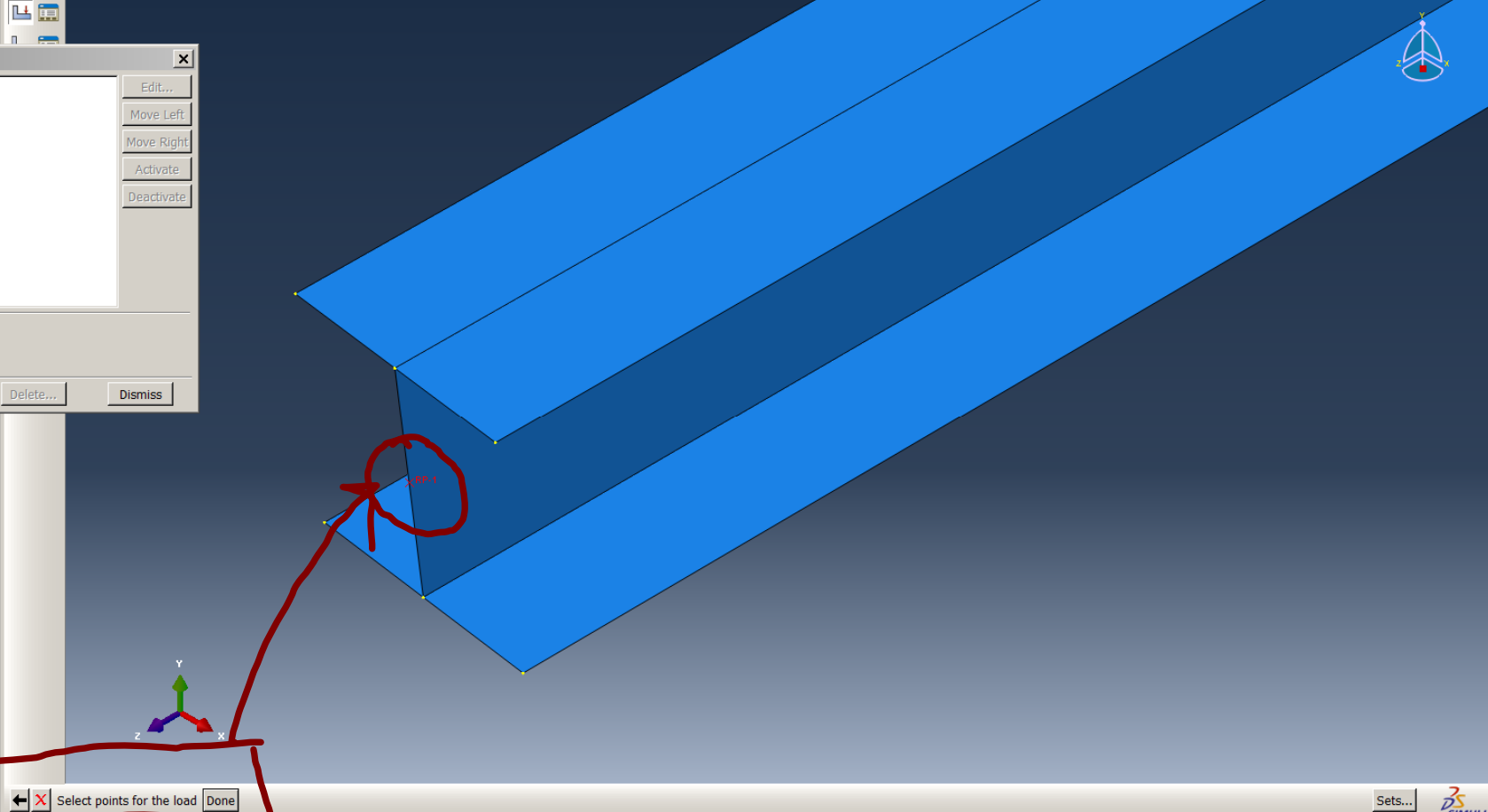
Warning: Warning: Permission was denied for "abaqus.rpy"; "abaqus.rpy.140" will be used for this session's replay file.

Name	Step-1
------	--------

Step procedure:
Load type:
Load status:

Create... Copy... Rename... Delete... Dismiss

- Loads
- BCs
- Predefined Fields
- Remeshing Rules
- Sketches
- Annotations
- Analysis
- Jobs
- Adaptivity Processes
- Co-executions



Warning: Warning: Permission was denied for 'abaqus.rpy'; "abaqus.rpy.140" will be used for this session's replay file.

Load Manager

Name	Step-1
------	--------

Step procedure:
Load type:
Load status:

Create... Copy... Rename... Delete... Dismiss

Edit Load

Name: Incarcarea
Type: Concentrated force
Step: Step-1 (Buckle)
Region: (Picked)

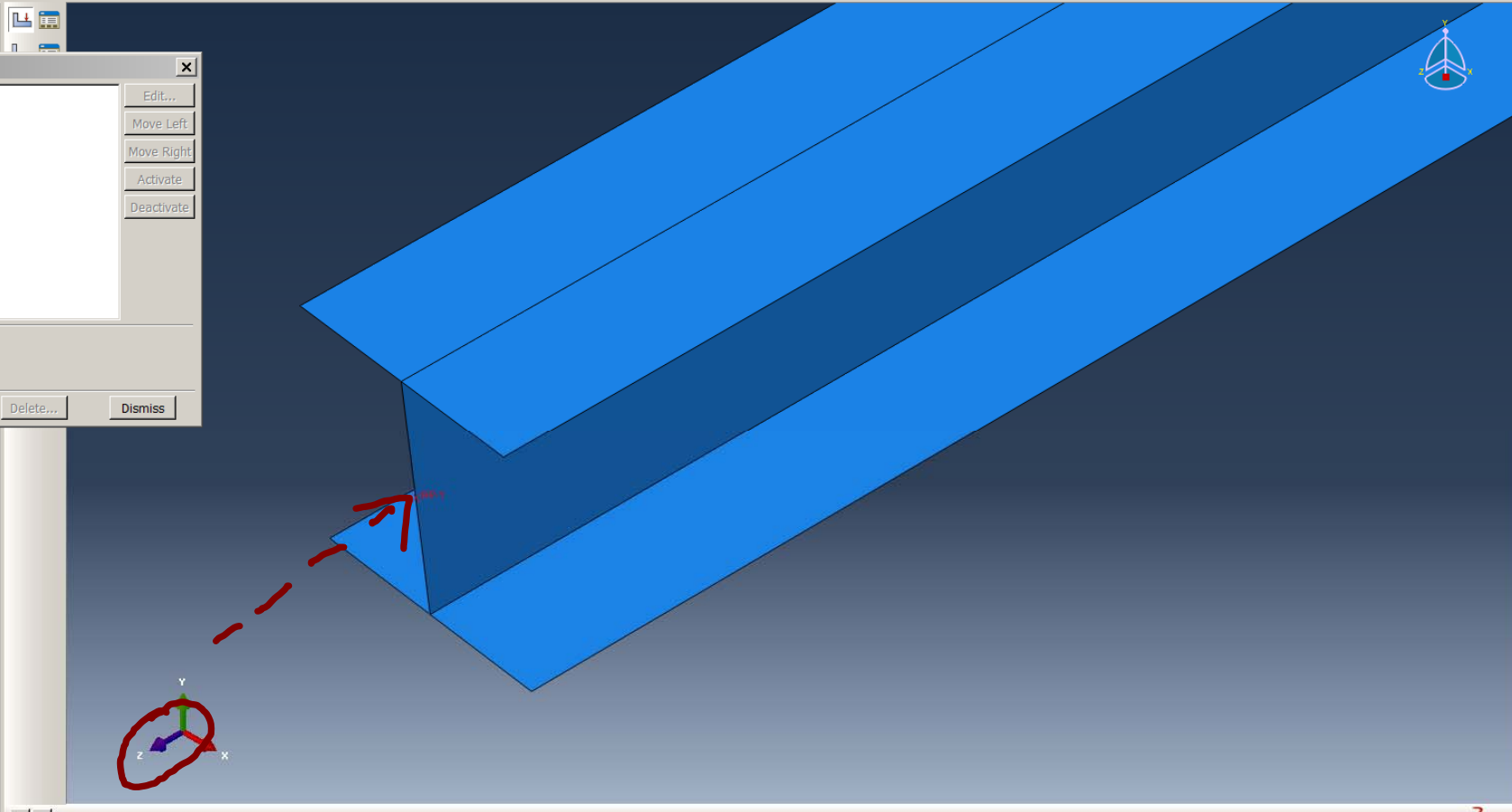
CSYS: (Global) Edit... Create...

Distribution: Uniform Create...

CF1:
CF2:
CF3:

Note: Force will be applied per node.

OK Cancel



Fill out the Edit Load dialog

Warning: Warning: Permission was denied for "abaqus.rpy"; "abaqus.rpy.140" will be used for this session's replay file.

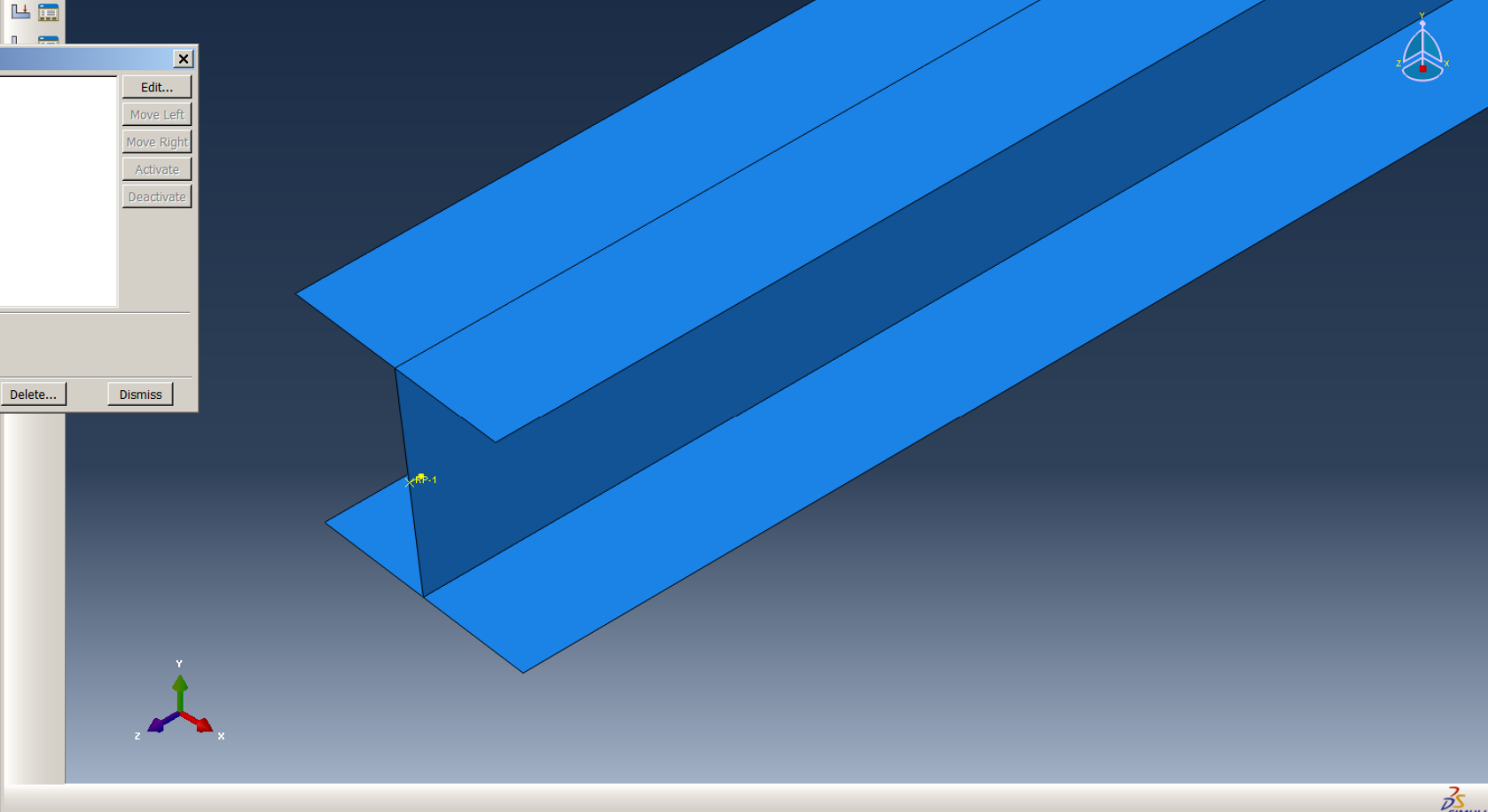
Load Manager

Name	Step-1
✓ Incarcarea	Created

Step procedure: Buckle
Load type: Concentrated force
Load status: Created in this step

Create... Copy... Rename... Delete... Dismiss

- Loads (1)
- BCs
- Predefined Fields
- Remeshing Rules
- Sketches
- Annotations
- Analysis
- Jobs
- Adaptivity Processes
- Co-executions



Warning: Warning: Permission was denied for "abaqus.rpy"; "abaqus.rpy.140" will be used for this session's replay file.

Model Database

- Models (1)
 - Model-1

Boundary Condition Manager

Name	Initial	Step-1
------	---------	--------

Buttons: Edit..., Move Left, Move Right, Activate, Deactivate

Step procedure:
Boundary condition type:
Boundary condition status:

Buttons: Create..., Copy..., Rename..., Delete..., Dismiss

Create Boundary Condition

Name: Simpu

Step: Step-1

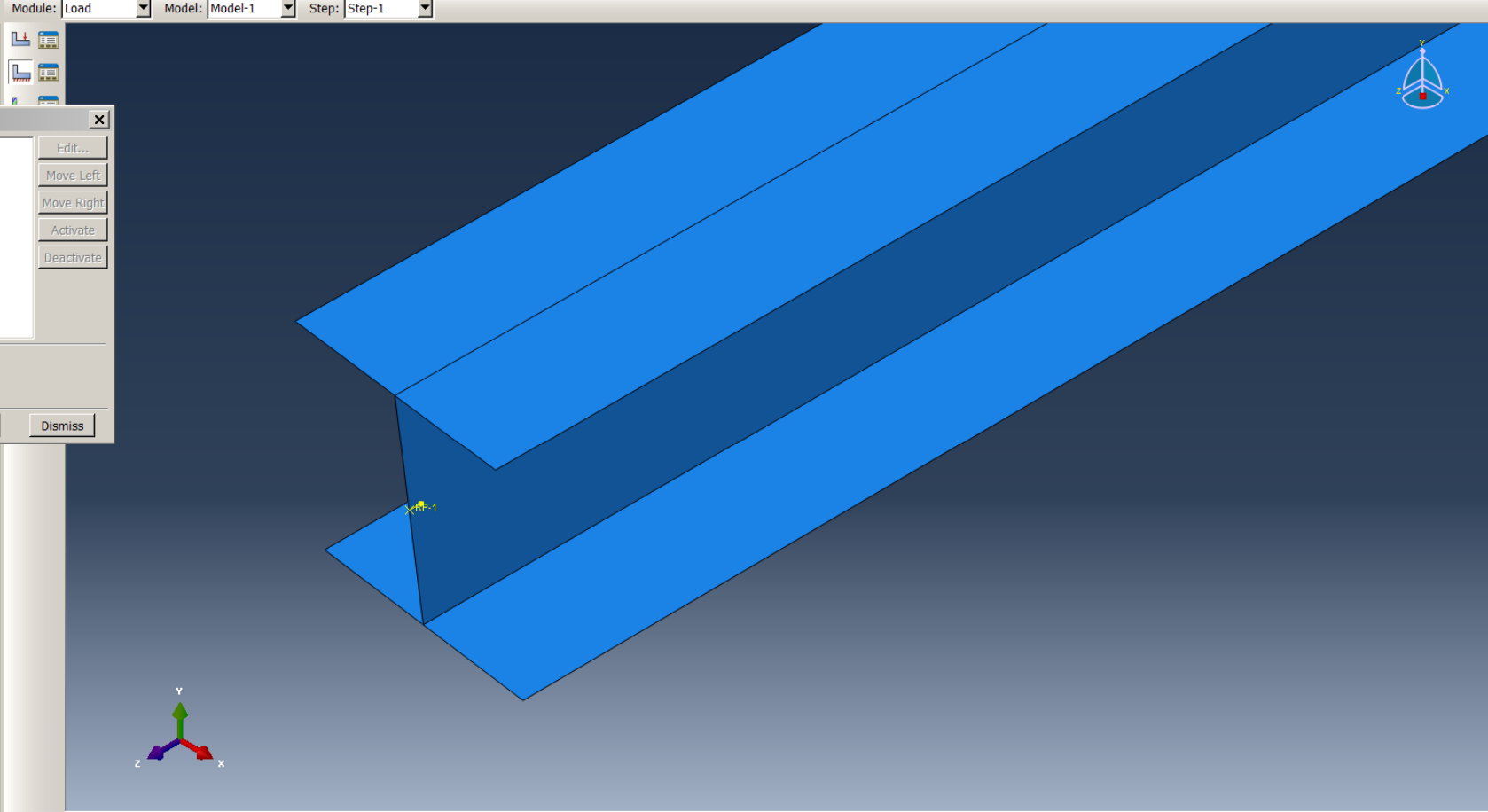
Procedure: Initial

Selected Step: Step-1

Category: Mechanical

- Symmetry/Antisymmetry/Encastre
- Displacement/Rotation
- Connector displacement

Buttons: Continue..., Cancel



Fill out the Create Boundary Condition dialog

Warning: Warning: Permission was denied for "abaqus.rpy"; "abaqus.rpy.140" will be used for this session's replay file.

Boundary Condition Manager

Name	Initial	Step-1
------	---------	--------

Step procedure:
Boundary condition type:
Boundary condition status:

Create... Copy... Rename... Delete... Dismiss

Loads (1)
BCs

Create Boundary Condition

Name: Simpu
Step: Initial

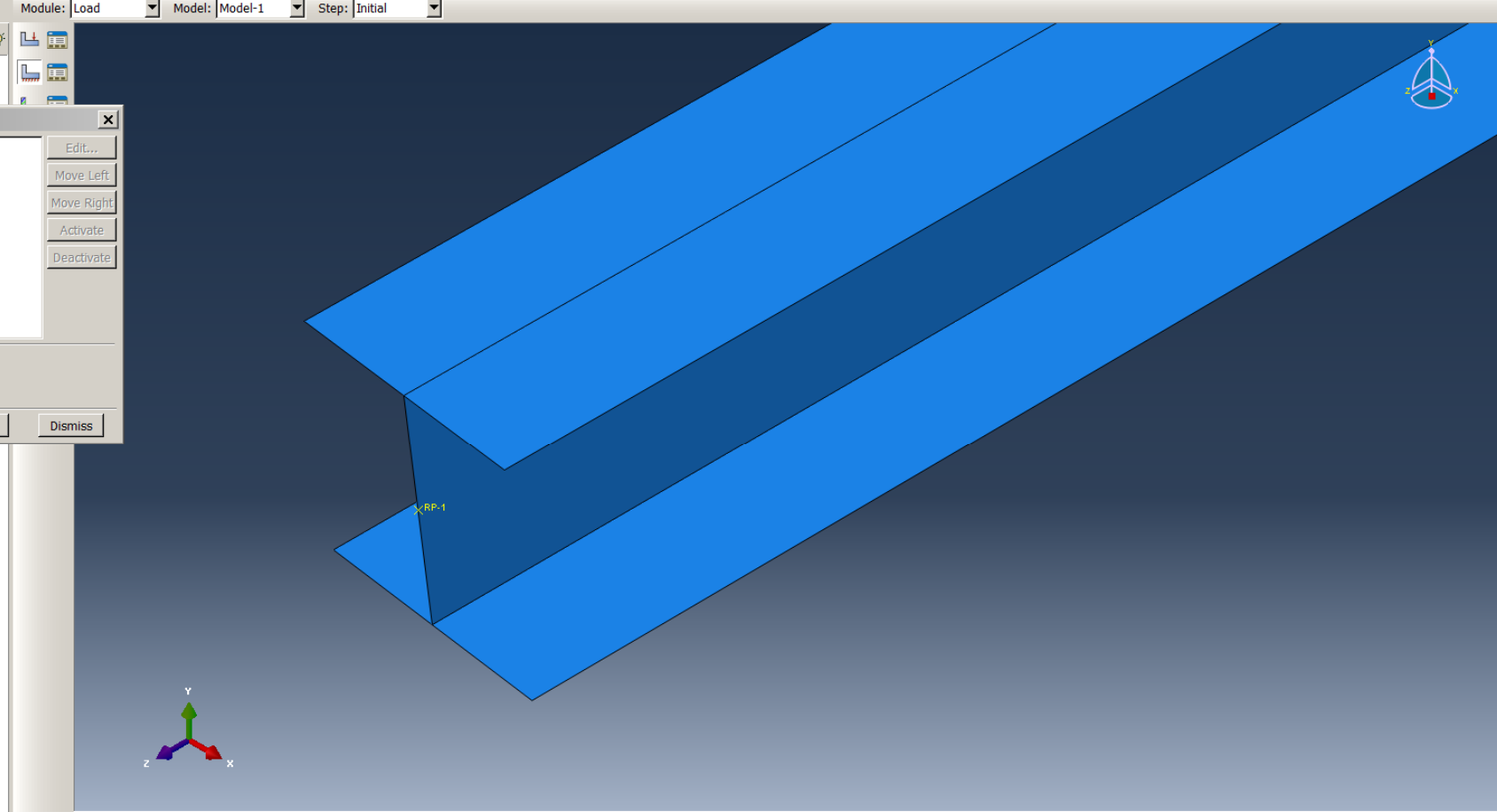
Procedure:

Category: Mechanical

Types for Selected Step:

- Symmetry/Antisymmetry/Encastre
- Displacement/Rotation
- Velocity/Angular velocity
- Acceleration/Angular acceleration
- Connector displacement
- Connector velocity
- Connector acceleration

Continue... Cancel



Fill out the Create Boundary Condition dialog

Warning: Warning: Permission was denied for "abaqus.rpy"; "abaqus.rpy.140" will be used for this session's replay file.



Model Database

- Models (1)
 - Model-1

Boundary Condition Manager

Name	Initial	Step-1

Step procedure:
Boundary condition type:
Boundary condition status:

Create... Copy... Rename... Delete... Dismiss

Loads (1)

- BCs
- Predefined Fields
- Remeshing Rules
- Sketches

Annotations

- Analysis
- Jobs
- Adaptivity Processes
- Co-executions

Edit Boundary Condition

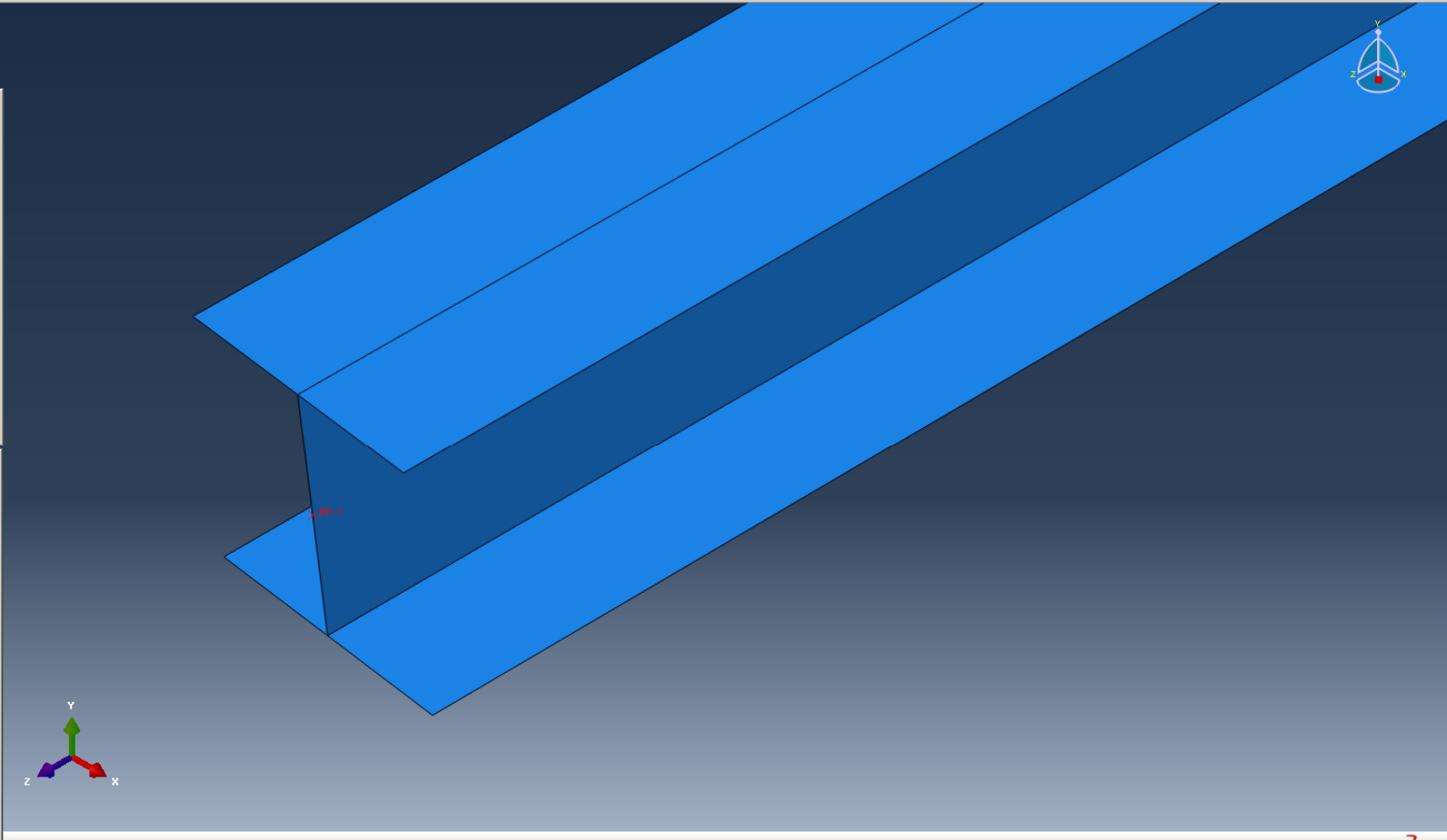
Name: Simpu
Type: Displacement/Rotation
Step: Initial
Region: (Picked)

CSYS: (Global) Edit... Create...

U1
 U2
 U3
 UR1
 UR2
 UR3

Note: The displacement value will be maintained in subsequent steps.

OK Cancel



Edit Boundary Condition dialog

"abaqus.rpy.140" will be used for this session's replay file.



Model Database

- Models (1)
 - Model-1

Boundary Condition Manager

Name	Initial	Step-1
Articulate	Created	Propagated f
Simple	Created	Propagated f

Step procedure:
 Boundary condition type: Displacement/Rotation
 Boundary condition status: Created in this step

Loads (1)
 BCs (2)
 Predefined Fields
 Remeshing Rules
 Sketches

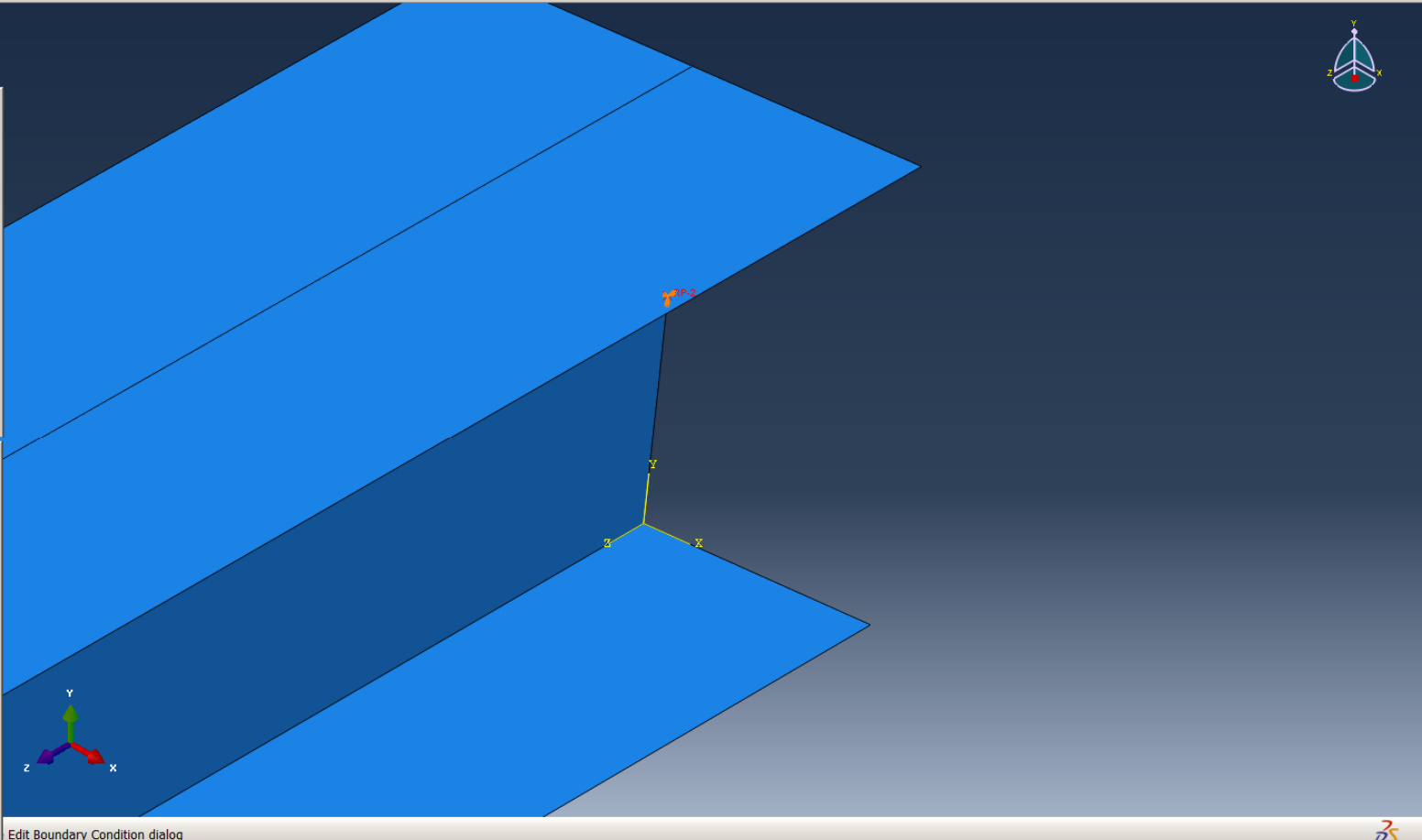
Annotations
 Analysis
 Jobs
 Adaptivity Processes
 Co-executions

Edit Boundary Condition

Name: Articulate
 Type: Displacement/Rotation
 Step: Initial
 Region: (Picked) [Edit Region...](#)

CSYS: (Global) [Edit...](#) [Create...](#)

- U1
- U2
- U3
- UR1
- UR2
- UR3



Warning: Warning: F

Note: The displacement value will be maintained in subsequent steps.

OK Cancel

"abaqus.rpy.140" will be used for this session's replay file.

- Model Database
- Models (1)
 - Model-1
 - Parts (1)
 - Materials (1)
 - Sections (2)
 - Profiles
 - Assembly
 - Steps (2)
 - Field Output Requests
 - History Output Reques
 - Time Points
 - ALE Adaptive Mesh Co
 - Interactions
 - Interaction Properties
 - Contact Controls
 - Contact Initializations
 - Constraints (2)
 - Connector Sections
 - Fields
 - Amplitudes
 - Loads (1)
 - BCs (2)
 - Predefined Fields
 - Remeshing Rules
 - Sketches
 - Annotations
 - Analysis
 - Jobs
 - Adaptivity Processes
 - Co-executions

Seed Part

Global Seeds

Sizing Controls

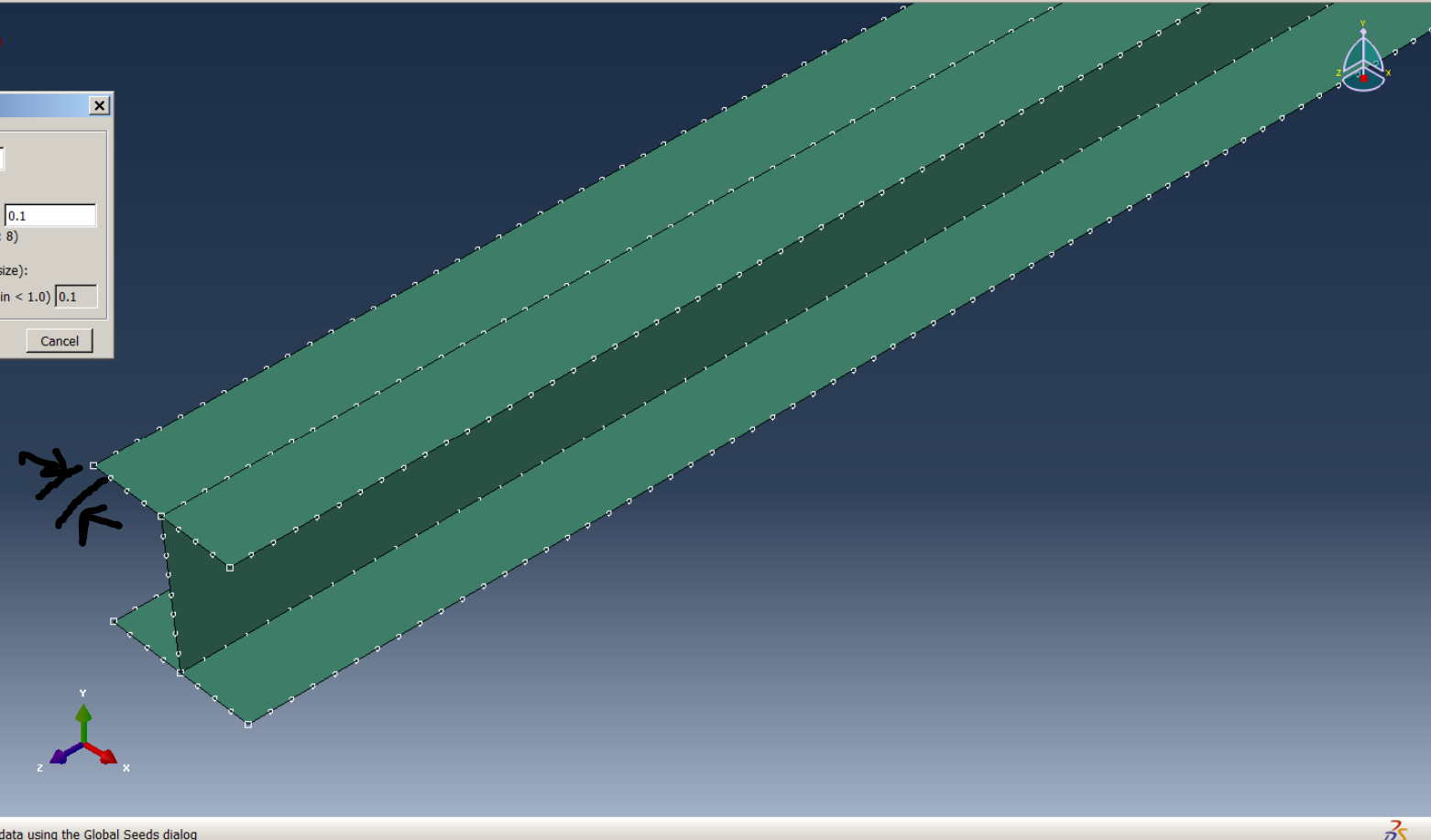
Approximate global size: 2220/8

Curvature control

Maximum deviation factor (0.0 < h/L < 1.0): 0.1
(Approximate number of elements per circle: 8)

Minimum size factor (as a fraction of global size):
 Use default (0.1) Specify (0.0 < min < 1.0) 0.1

OK Apply Defaults Cancel

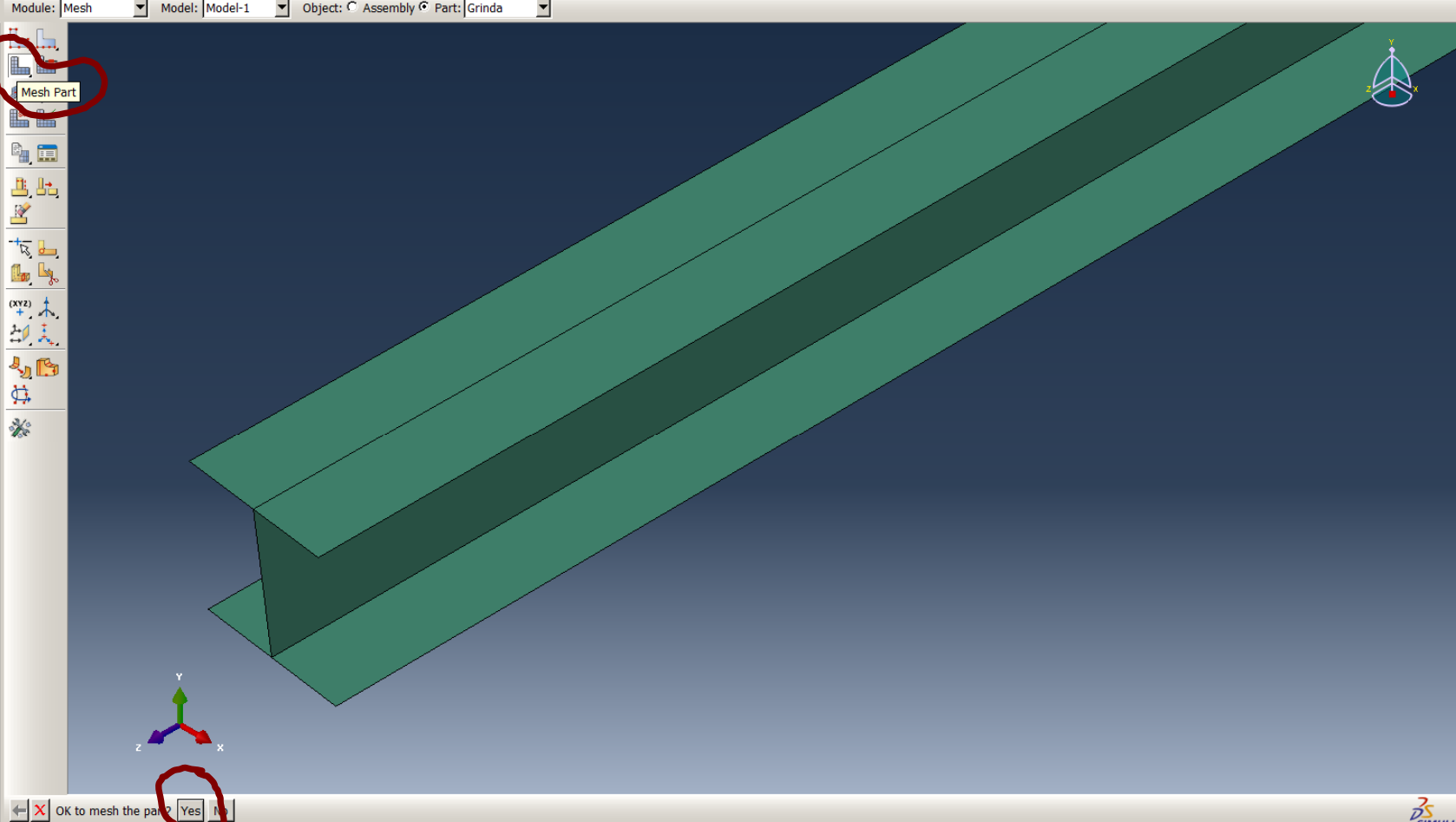


Set the data using the Global Seeds dialog

Global seeds have been assigned.
Global seeds have been assigned.
Global seeds have been assigned.
Global seeds have been assigned.
Global seeds have been assigned.

Model Database

- Models (1)
 - Model-1
 - Parts (1)
 - Materials (1)
 - Sections (2)
 - Profiles
 - Assembly
 - Steps (2)
 - Field Output Requests (1)
 - History Output Requests
 - Time Points
 - ALE Adaptive Mesh Constraints
 - Interactions
 - Interaction Properties
 - Contact Controls
 - Contact Initializations
 - Constraints (2)
 - Connector Sections
 - Fields
 - Amplitudes
 - Loads (1)
 - BCs (2)
 - Predefined Fields
 - Remeshing Rules
 - Sketches
 - Annotations
 - Analysis
 - Jobs
 - Adaptivity Processes
 - Co-executions

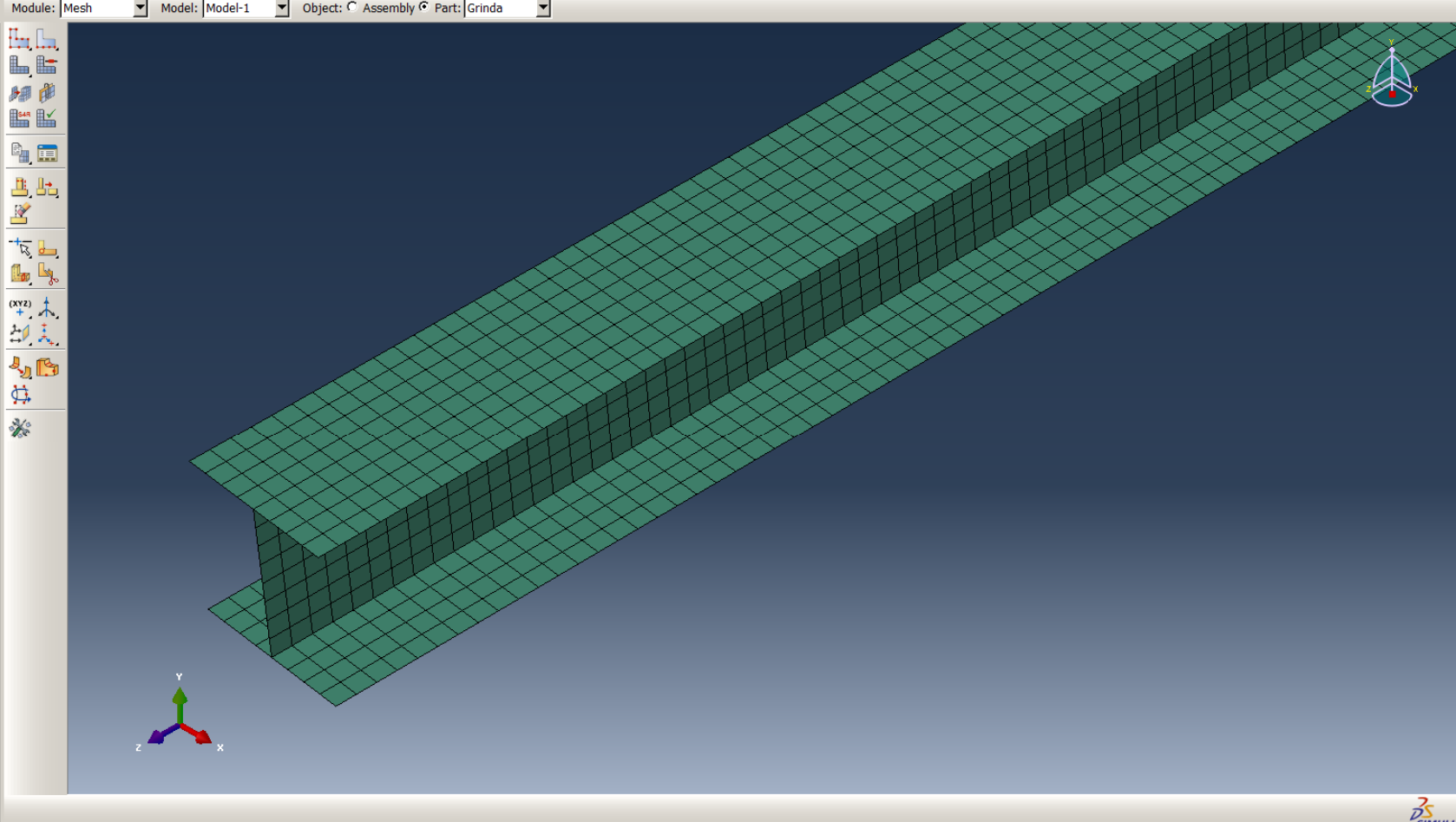


OK to mesh the part? [Yes] [No]

Global seeds have been assigned.
Global seeds have been assigned.
Global seeds have been assigned.
Global seeds have been assigned.
Global seeds have been assigned.

Model Database

- Models (1)
 - Model-1
 - Parts (1)
 - Materials (1)
 - Sections (2)
 - Profiles
 - Assembly
 - Steps (2)
 - Field Output Requests (1)
 - History Output Requests
 - Time Points
 - ALE Adaptive Mesh Constraints
 - Interactions
 - Interaction Properties
 - Contact Controls
 - Contact Initializations
 - Constraints (2)
 - Connector Sections
 - Fields
 - Amplitudes
 - Loads (1)
 - BCs (2)
 - Predefined Fields
 - Remeshing Rules
 - Sketches
- Annotations
- Analysis
- Jobs
 - Adaptivity Processes
 - Co-executions



Global seeds have been assigned.
Global seeds have been assigned.
Global seeds have been assigned.
Global seeds have been assigned.
5328 elements have been generated on part: Grinda

Model Database

- Models (1)
 - Model-1
 - Parts (1)
 - Materials (1)
 - Sections (2)
 - Profiles
 - Assembly
 - Steps (2)
 - Field Output Requests (1)
 - History Output Requests
 - Time Points
 - ALE Adaptive Mesh Constraints
 - Interactions
 - Interaction Properties
 - Contact Controls
 - Contact Initializations
 - Constraints (2)
 - Connector Sections
 - Fields
 - Amplitudes
 - Loads (1)
 - BCs (2)
 - Predefined Fields
 - Remeshing Rules
 - Sketches
 - Annotations
 - Analysis
 - Jobs
 - Adaptivity Processes
 - Co-executions

Job Manager

Name	Model	Type	Status
------	-------	------	--------

Buttons: Write Input, Data Check, Submit, Continue, Monitor..., Results, Kill

Buttons: Create..., Edit..., Copy..., Rename..., Delete..., Dismiss

Create Job

Name: Stabilitatea

Source: Model

Model-1

Buttons: Continue..., Cancel

Global seeds have been assigned.
Global seeds have been assigned.
Global seeds have been assigned.
Global seeds have been assigned.
5328 elements have been generated on part: Grinda

Model Database

- Models (1)
 - Model-1
 - Parts (1)
 - Materials (1)
 - Sections (2)
 - Profiles
 - Assembly
 - Steps (2)
 - Field Output Requests (1)
 - History Output Requests
 - Time Points
 - ALE Adaptive Mesh Constraints
 - Interactions
 - Interaction Properties
 - Contact Controls
 - Contact Initializations
 - Constraints (2)
 - Connector Sections
 - Fields
 - Amplitudes
 - Loads (1)
 - BCs (2)
 - Predefined Fields
 - Remeshing Rules
 - Sketches
 - Annotations
 - Analysis
 - Jobs (1)
 - Adaptivity Processes
 - Co-executions

Job Manager

Name	Model	Type	Status
Stabilitatea	Model-1	Full Analysis	Completed

Buttons: Write Input, Data, Submit, Monitor..., Results, Kill

Buttons: Create..., Edit..., Copy..., Rename..., Delete..., Dismiss

Stabilitatea Monitor

Job: Stabilitatea Status: Completed

Step	Increment	Att	Severe Discon Iter	Equil Iter	Total Iter	Total Time/Freq	Step Time/LPF	Time/LPF Inc
1	1	1	0	0	0	0	1e-36	1e-36

Log Errors Warnings Output Data File Message File Status File

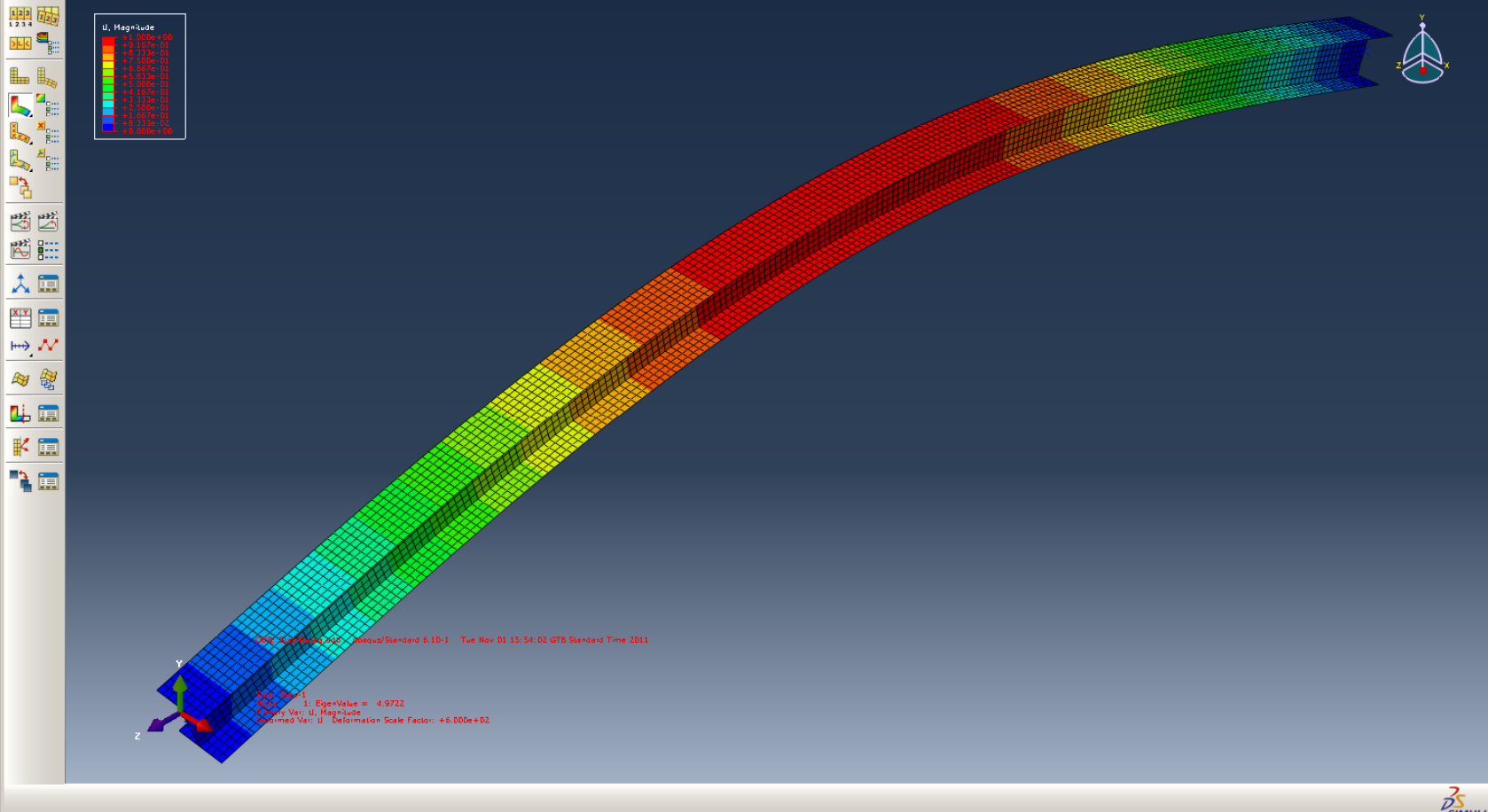
Completed: Abaqus/Standard
Completed: Tue Nov 01 15:54:11 2011

Search Text
Text to find: Match case

The job "Stabilitatea" has been created.
The job input file "Stabilitatea.inp" has been submitted for analysis.
Job Stabilitatea: Analysis Input File Processor completed successfully.
Job Stabilitatea: Abaqus/Standard completed successfully.
Job Stabilitatea completed successfully.

Session Data

- Output Databases (1)
- Spectrums (7)
- XYPlots
- XYData
- Paths
- Display Groups (1)
- Free Body Cuts
- Movies
- Images



The job "Stabilitatea" has been created.
The job input file "Stabilitatea.inp" has been submitted for analysis.
Job Stabilitatea: Analysis Input File Processor completed successfully.
Job Stabilitatea: Abaqus/Standard completed successfully.
Job Stabilitatea completed successfully.

Model Database

- Models (1)
 - Model-1
 - Parts
 - Materials
 - Sections
 - Profiles
 - Assembly
 - Steps (1)
 - Field Output Requests
 - History Output Requests
 - Time Points
 - ALE Adaptive Mesh Constraints
 - Interactions
 - Interaction Properties
 - Contact Controls
 - Contact Initializations
 - Constraints
 - Connector Sections
 - Fields
 - Amplitudes
 - Loads
 - BCs
 - Predefined Fields
 - Remeshing Rules
 - Sketches
 - Annotations
 - Analysis
 - Jobs
 - Adaptivity Processes
 - Co-executions

Start Session

Create Model Database

- With Standard/Explicit Model
- With CFD Model

Open Database Run Script Start Tutorial

Recent Files

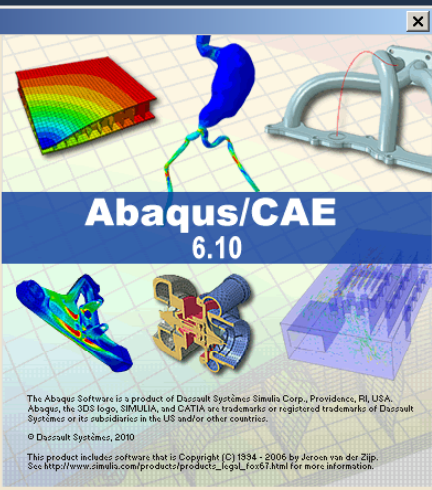
- C:/.../studenti Abaqus/grinda.cae
- C:/.../Stand simplu.cae
- C:/.../Analiza_riks_12x4.odb
- C:/.../Analiza_stab_N1_18x5.odb
- C:/.../Analiza_stab_N18x5.odb

Abaqus/CAE 6.10

The Abaqus Software is a product of Dassault Systèmes Simulia Corp., Providence, RI, USA. Abaqus, the DSS logo, SIMULIA, and CATIA are trademarks or registered trademarks of Dassault Systèmes or its subsidiaries in the US and/or other countries.

© Dassault Systèmes, 2010

This product includes software that is Copyright (C) 1994 - 2006 by Jeroen van der Zlip. See http://www.simulia.com/products/products_legal/foxb7.html for more information.



Warning: Warning: Permission was denied for "abaqus.rpy"; "abaqus.rpy.141" will be used for this session's replay file.

Model Database

- Models (1)
 - Model-1
 - Parts
 - Materials
 - Sections
 - Profiles
 - Assembly
 - Steps (1)
 - Field Output Requests
 - History Output Requests
 - Time Points
 - ALE Adaptive Mesh Constraints
 - Interactions
 - Interaction Properties
 - Contact Controls
 - Contact Initializations
 - Constraints
 - Connector Sections
 - Fields
 - Amplitudes
 - Loads
 - BCs
 - Predefined Fields
 - Remeshing Rules
 - Sketches
 - Annotations
 - Analysis
 - Jobs
 - Adaptivity Processes
 - Co-executions

Part Manager

Name	Description	Status
------	-------------	--------

Buttons: Create..., Rename..., Delete..., Lock, Unlock, Update Validity, Ignore Invalidity, Dismiss

Create Part

Name: Inima

Modeling Space: 3D 2D Planar Axisymmetric

Type: Deformable Discrete rigid Analytical rigid Eulerian

Options: None available

Base Feature

Shape	Type
<input type="radio"/> Solid	Planar
<input checked="" type="radio"/> Shell	Extrusion
<input type="radio"/> Wire	Revolution
<input type="radio"/> Point	Sweep

Approximate size: 200

Buttons: Continue..., Cancel

Fill out the Create Part dialog

Warning: Warning: Permission was denied for "abaqus.rpy"; "abaqus.rpy.141" will be used for this session's replay file.
A new model database has been created.
The model "Model-1" has been created.

Model Database

- Models (1)
 - Model-1
 - Parts
 - Materials
 - Sections
 - Profiles
 - Assembly
 - Steps (1)
 - Field Output Requests
 - History Output Requests
 - Time Points
 - ALE Adaptive Mesh Constraints
 - Interactions

Viewport: x:235, y:101.25

Part Manager

Name	Description	Status

Create...
Copy...
Rename...
Delete...
Lock
Unlock
Update Validity
Ignore Invalidity
Dismiss

Co-executions

Pick the opposite corner for the rectangle--or enter X,Y: 6000,204

Warning: Warning: Permission was denied for "abaqus.rpy"; "abaqus.rpy.141" will be used for this session's replay file.
A new model database has been created.
The model "Model-1" has been created.

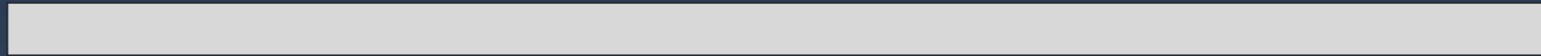
Model Database



- Models (1)
 - Model-1
 - Part
 - Ma
 - Se
 - Prc
 - As
 - St
 - Fie
 - His
 - Tir
 - AL
 - Int
 - Co
 - Co
 - Constraints
 - Connector Sections
 - Fields
 - Amplitudes
 - Loads
 - BCs
 - Predefined Fields
 - Remeshing Rules
 - Sketches
 - Annotations
 - Analysis
 - Jobs
 - Adaptivity Processes
 - Co-executions

Name	Description	Status
Inima	3D Deformable	

Create...
Copy...
Rename...
Delete...
Lock
Unlock
Update Validity
Ignore Invalidity
Dismiss



Warning: Warning: Permission was denied for "abaqus.rpy"; "abaqus.rpy.141" will be used for this session's replay file.
A new model database has been created.
The model "Model-1" has been created.

Model Database

Name	Description	Status
Inima	3D Deformable	

Part Manager

Name	Description	Status
Inima	3D Deformable	

Create...
Copy...
Rename...
Delete...
Lock
Unlock
Update Validity
Ignore Invalidity
Dismiss

Create Part

Name: Talpa

Modeling Space
 3D 2D Planar Axisymmetric

Type
 Deformable
 Discrete rigid
 Analytical rigid
 Eulerian

Options
None available

Base Feature

Shape	Type
<input type="radio"/> Solid	Planar
<input checked="" type="radio"/> Shell	Extrusion
<input type="radio"/> Wire	Revolution
<input type="radio"/> Point	Sweep

Approximate size: 200

Continue... Cancel

Fill out the Create Part dialog

Warning: Warning: Permission was denied for "abaqus.rpy"; "abaqus.rpy.141" will be used for this session's replay file.
A new model database has been created.
The model "Model-1" has been created.

Model Database

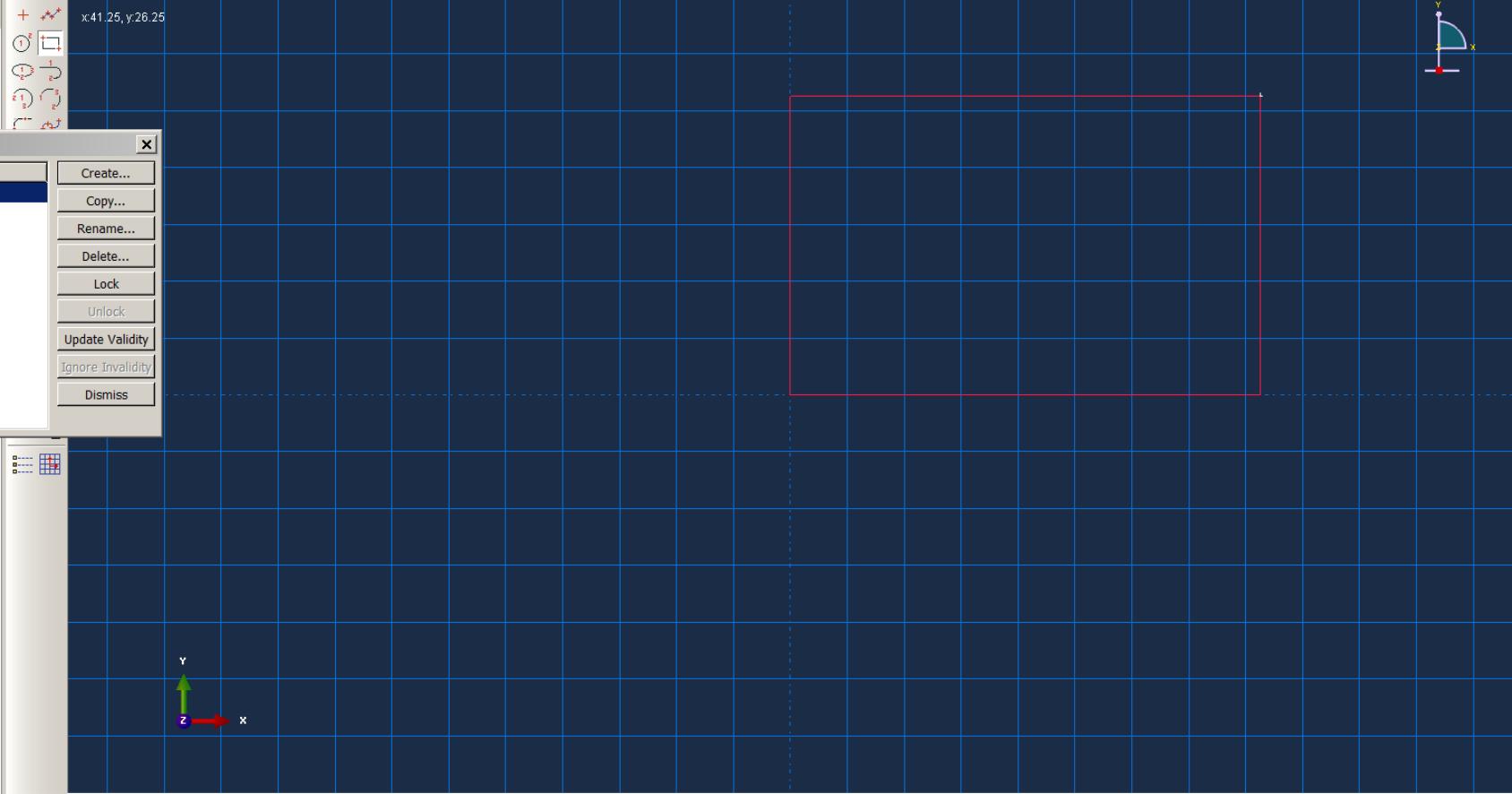
- Models (1)
 - Model-1
 - Parts (1)
 - Materials
 - Sections

Part Manager

Name	Description	Status
Inima	3D Deformable	

Create...
Copy...
Rename...
Delete...
Lock
Unlock
Update Validity
Ignore Invalidity
Dismiss

- BCs
- Predefined Fields
- Remeshing Rules
- Sketches
- Annotations
- Analysis
 - Jobs
 - Adaptivity Processes
 - Co-executions



Warning: Warning: Permission was denied for "abaqus.rpy"; "abaqus.rpy.141" will be used for this session's replay file.
A new model database has been created.
The model "Model-1" has been created.

Model Database

Models (1)

Model-1

Part Manager

Name	Description	Status
Inima	3D Deformable	
Talpa	3D Deformable	

Constrains

Connector Sections

Fields

Amplitudes

Loads

BCs

Predefined Fields

Remeshing Rules

Sketches

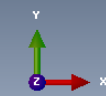
Annotations

Analysis

Jobs

Adaptivity Processes

Co-executions



Warning: Warning: Permission was denied for "abaqus.rpy": "abaqus.rpy.141" will be used for this session's replay file.
A new model database has been created.
The model "Model-1" has been created.

Model Database

- Models (1)
 - Model-1
 - Parts (2)
 - Materials
 - Sections
 - Profiles
 - Assembly
 - Steps (1)
 - Field Output Requests
 - History Output Requests
 - Time Points
 - ALE Adaptive Mesh Constraints
 - Interactions
 - Interaction Properties
 - Contact Controls
 - Contact Initializations
 - Constraints
 - Connector Sections
 - Fields
 - Amplitudes
 - Loads
 - BCs
 - Predefined Fields
 - Remeshing Rules
 - Sketches
 - Annotations
 - Analysis
 - Jobs
 - Adaptivity Processes
 - Co-executions

Module: Part Model: Model-1 Part: Talpa

Partition Face
Use Shortest Path
Between 2 Points



Warning: Warning: Permission was denied for "abaqus.rpy": "abaqus.rpy.141" will be used for this session's replay file.
A new model database has been created.
The model "Model-1" has been created.

Model Database

- Models (1)
 - Model-1
 - Parts (2)
 - Materials
 - Sections
 - Profiles
 - Assembly
 - Steps (1)
 - Field Output Requests
 - History Output Requests
 - Time Points
 - ALE Adaptive Mesh Constraints
 - Interactions
 - Interaction Properties
 - Contact Controls
 - Contact Initializations
 - Constraints
 - Connector Sections
 - Fields
 - Amplitudes
 - Loads
 - BCs
 - Predefined Fields
 - Remeshing Rules
 - Sketches
 - Annotations
 - Analysis
 - Jobs
 - Adaptivity Processes
 - Co-executions

Module: Part Model: Model-1 Part: Talpa

Select a start point

Warning: Warning: Permission was denied for "abaqus.rpy"; "abaqus.rpy.141" will be used for this session's replay file.
A new model database has been created.
The model "Model-1" has been created.

Model Database

- Models (1)
 - Model-1
 - Parts (2)
 - Materials
 - Sections
 - Profiles
 - Assembly
 - Steps (1)
 - Field Output Requests
 - History Output Requests
 - Time Points
 - ALE Adaptive Mesh Constraints
 - Interactions
 - Interaction Properties
 - Contact Controls
 - Contact Initializations
 - Constraints
 - Connector Sections
 - Fields
 - Amplitudes
 - Loads
 - BCs
 - Predefined Fields
 - Remeshing Rules
 - Sketches
 - Annotations
 - Analysis
 - Jobs
 - Adaptivity Processes
 - Co-executions

Module: Part Model: Model-1 Part: Talpa

Select an end point

Warning: Warning: Permission was denied for "abaqus.rpy"; "abaqus.rpy.141" will be used for this session's replay file.
A new model database has been created.
The model "Model-1" has been created.

Model Database

- Models (1)
 - Model-1
 - Parts (2)
 - Materials
 - Sections
 - Profiles
 - Assembly
 - Steps (1)
 - Field Output Requests
 - History Output Requests
 - Time Points
 - ALE Adaptive Mesh Constraints
 - Interactions
 - Interaction Properties
 - Contact Controls
 - Contact Initializations
 - Constraints
 - Connector Sections
 - Fields
 - Amplitudes
 - Loads
 - BCs
 - Predefined Fields
 - Remeshing Rules
 - Sketches
 - Annotations
 - Analysis
 - Jobs
 - Adaptivity Processes
 - Co-executions

Module: Part Model: Model-1 Part: Talpa

Partition definition complete Create Partition

Warning: Warning: Permission was denied for "abaqus.rpy"; "abaqus.rpy.141" will be used for this session's replay file.
A new model database has been created.
The model "Model-1" has been created.

Model Database

- Models (1)
 - Model-1
 - Parts (2)
 - Materials
 - Sections
 - Profiles
 - Assembly
 - Steps (1)
 - Field Output Requests
 - History Output Requests
 - Time Points
 - ALE Adaptive Mesh Constraints
 - Interactions
 - Interaction Properties
 - Contact Controls
 - Contact Initializations
 - Constraints
 - Connector Sections
 - Fields
 - Amplitudes
 - Loads
 - BCs
 - Predefined Fields
 - Remeshing Rules
 - Sketches
 - Annotations
 - Analysis
 - Jobs
 - Adaptivity Processes
 - Co-executions

Module: Part Model: Model-1 Part: Talpa

Select the faces to partition individually Done

Warning: Warning: Permission was denied for "abaqus.rpy": "abaqus.rpy.141" will be used for this session's replay file.
A new model database has been created.
The model "Model-1" has been created.

Model Database

- Models (1)
 - Model-1
 - Parts (2)
 - Materials
 - Sections
 - Profiles
 - Assembly
 - Steps (1)
 - Field Output Requests
 - History Output Requests
 - Time Points
 - ALE Adaptive Mesh Constraints
 - Interactions
 - Interaction Properties
 - Contact Controls
 - Contact Initializations
 - Constraints
 - Connector Sections
 - Fields
 - Amplitudes
 - Loads
 - BCs
 - Predefined Fields
 - Remeshing Rules
 - Sketches
 - Annotations
 - Analysis
 - Jobs
 - Adaptivity Processes
 - Co-executions

Module: Part Model: Model-1 Part: Talpa

The main viewport displays a 3D model of a red horizontal bar. The bar is positioned horizontally across the center of the viewport. A coordinate system is shown at the bottom left of the viewport, with the x-axis pointing to the right, the y-axis pointing upwards, and the z-axis pointing out of the page. The background of the viewport is a light blue color.

Warning: Warning: Permission was denied for "abaqus.rpy"; "abaqus.rpy.141" will be used for this session's replay file.
A new model database has been created.
The model "Model-1" has been created.

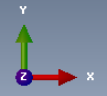
Model Database

- Models (1)
 - Model-1
 - Parts (2)
 - Materials
 - Sections
 - Profiles
 - Assembly
 - Steps (1)
 - Field Output Requests
 - History Output Requests
 - Time Points
 - ALE Adaptive Mesh Constraints
 - Interactions
 - Interaction Properties
 - Contact Controls
 - Contact Initializations
 - Constraints
 - Connector Sections
 - Fields
 - Amplitudes
 - Loads
 - BCs
 - Predefined Fields
 - Remeshing Rules
 - Sketches
 - Annotations
 - Analysis
 - Jobs
 - Adaptivity Processes
 - Co-executions

Module: Assembly

- Part
- Property
- Assembly
- Step
- Interaction
- Load
- Mesh
- Job
- Visualization
- Sketch

Model: Model-1 Step: Initial



The main viewport area is currently empty, showing a 3D coordinate system with X, Y, and Z axes. The X-axis is red, the Y-axis is green, and the Z-axis is blue. The origin is marked with a small blue circle.

Warning: Warning: Permission was denied for "abaqus.rpy"; "abaqus.rpy.141" will be used for this session's replay file.
A new model database has been created.
The model "Model-1" has been created.

Create Instance

Parts

- Inima
- Talpa

Instance Type

Dependent (mesh on part)

Independent (mesh on instance)

Note: To change a Dependent instance's mesh, you must edit its part's mesh.

Auto-offset from other instances

OK Apply Cancel

Fields

- Amplitudes
- Loads
- BCs
- Predefined Fields
- Remeshing Rules
- Sketches

Annotations

Analysis

- Jobs
- Adaptivity Processes
- Co-executions



Select the parts to instance from the dialog

Warning: Warning: Permission was denied for "abaqus.rpy": "abaqus.rpy.141" will be used for this session's replay file.
A new model database has been created.
The model "Model-1" has been created.

Model Database

Mod-1 (A)

Mod-1 (A)

Create Instance

Parts

- Inima
- Talpa

Instance Type

Dependent (mesh on part)

Independent (mesh on instance)

Note: To change a Dependent instance's mesh, you must edit its part's mesh.

Auto-offset from other instances

OK Apply Cancel

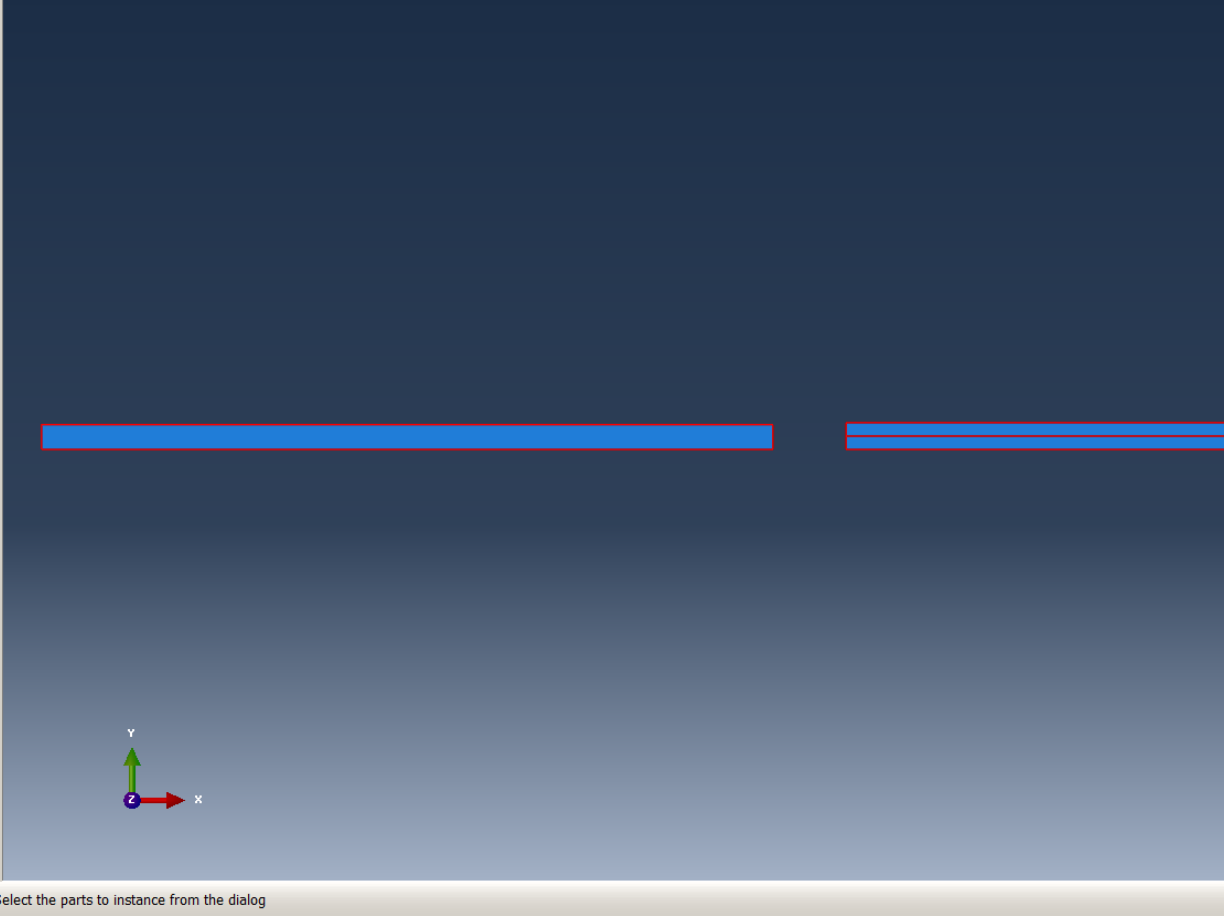
Fields

- Amplitudes
- Loads
- BCs
- Predefined Fields
- Remeshing Rules
- Sketches

Annotations

Analysis

- Jobs
- Adaptivity Processes
- Co-executions



Warning: Warning: Permission was denied for "abaqus.rpy": "abaqus.rpy.141" will be used for this session's replay file.
A new model database has been created.
The model "Model-1" has been created.

Model Database

Mod

Create Instance

Parts

- Inima
- Talpa

Instance Type

Dependent (mesh on part)

Independent (mesh on instance)

Note: To change a Dependent instance's mesh, you must edit its part's mesh.

Auto-offset from other instances

OK Apply Cancel

Fields

- Amplitudes
- Loads
- BCs
- Predefined Fields
- Remeshing Rules
- Sketches

Annotations

Analysis

- Jobs
- Adaptivity Processes
- Co-executions

Module: Assembly Model: Model-1 Step: Initial

Select the parts to instance from the dialog

Warning: Warning: Permission was denied for "abaqus.rpy": "abaqus.rpy.141" will be used for this session's replay file.
A new model database has been created.
The model "Model-1" has been created.

The screenshot shows the Abaqus/CAE 6.10-1 interface. On the left is the Model Database tree, showing a hierarchy from Model-1 down to Sketched parts. The central Viewport displays a 3D coordinate system with x, y, and z axes. A context menu is open over the Viewport, listing various options such as File, Viewport, View Manipulation, View Options, Views, Render Style, Visible Objects, Selection, Query, Display Group, Color Code, View Cut, Field Output, and Customize... A red arrow points from the 'Views' option in the context menu to the 'Views' icon in the top toolbar. The top toolbar contains various icons for view manipulation, including a red box highlighting a set of icons for view orientation (1, 2, 3, 4).

Warning: Warning: Permission was denied for "abaqus.rpy"; "abaqus.rpy.141" will be used for this session's replay file.
A new model database has been created.
The model "Model-1" has been created.

Model Database

- Models (1)
 - Model-1
 - Parts (2)
 - Materials
 - Sections
 - Profiles
 - Assembly
 - Steps (1)
 - Field Output Requests
 - History Output Requests
 - Time Points
 - ALE Adaptive Mesh Constraints
 - Interactions
 - Interaction Properties
 - Contact Controls
 - Contact Initializations
 - Constraints
 - Connector Sections
 - Fields
 - Amplitudes
 - Loads
 - BCs
 - Predefined Fields
 - Remeshing Rules
 - Sketches
 - Annotations
- Analysis
 - Jobs
 - Adaptivity Processes
 - Co-executions

Module: Assembly Model: Model-1 Step: Initial

Rotate Instance

Select the instances to rotate Done

Warning: Warning: Permission was denied for "abaqus.rpy": "abaqus.rpy.141" will be used for this session's replay file.
A new model database has been created.
The model "Model-1" has been created.

Model Results

Model Database

- Models (1)
 - Model-1
 - Parts (2)
 - Materials
 - Sections
 - Profiles
 - Assembly
 - Steps (1)
 - Field Output Requests
 - History Output Requests
 - Time Points
 - ALE Adaptive Mesh Constraints
 - Interactions
 - Interaction Properties
 - Contact Controls
 - Contact Initializations
 - Constraints
 - Connector Sections
 - Fields
 - Amplitudes
 - Loads
 - BCs
 - Predefined Fields
 - Remeshing Rules
 - Sketches
 - Annotations
- Analysis
 - Jobs
 - Adaptivity Processes
 - Co-executions

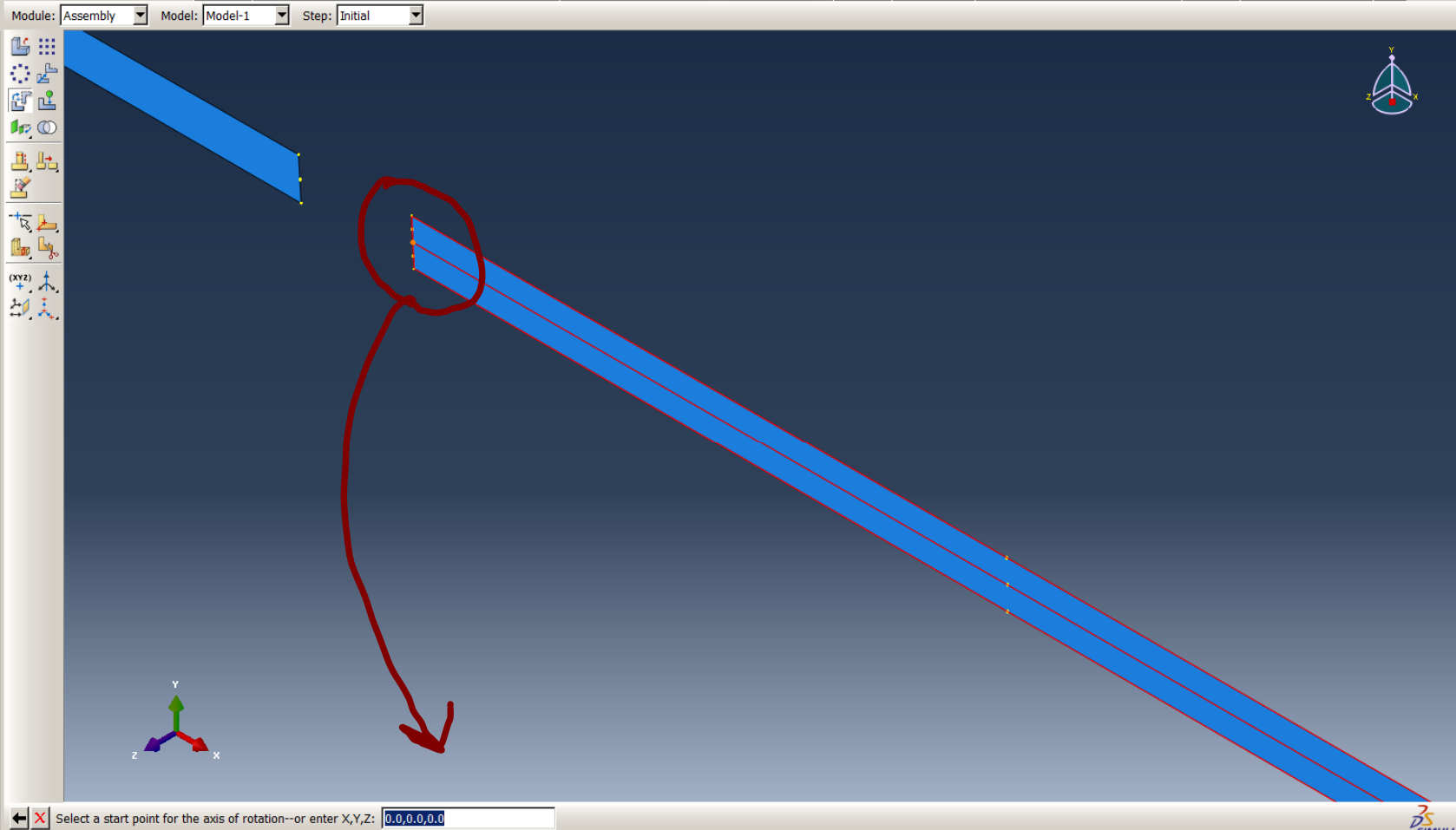
Module: Assembly Model: Model-1 Step: Initial

Select the instances to rotate Done

Warning: Warning: Permission was denied for "abaqus.rpy": "abaqus.rpy.141" will be used for this session's replay file.
A new model database has been created.
The model "Model-1" has been created.

Model Database

- Models (1)
 - Model-1
 - Parts (2)
 - Materials
 - Sections
 - Profiles
 - Assembly
 - Steps (1)
 - Field Output Requests
 - History Output Requests
 - Time Points
 - ALE Adaptive Mesh Constraints
 - Interactions
 - Interaction Properties
 - Contact Controls
 - Contact Initializations
 - Constraints
 - Connector Sections
 - Fields
 - Amplitudes
 - Loads
 - BCs
 - Predefined Fields
 - Remeshing Rules
 - Sketches
 - Annotations
 - Analysis
 - Jobs
 - Adaptivity Processes
 - Co-executions



Select a start point for the axis of rotation--or enter X,Y,Z: 0,0,0,0,0

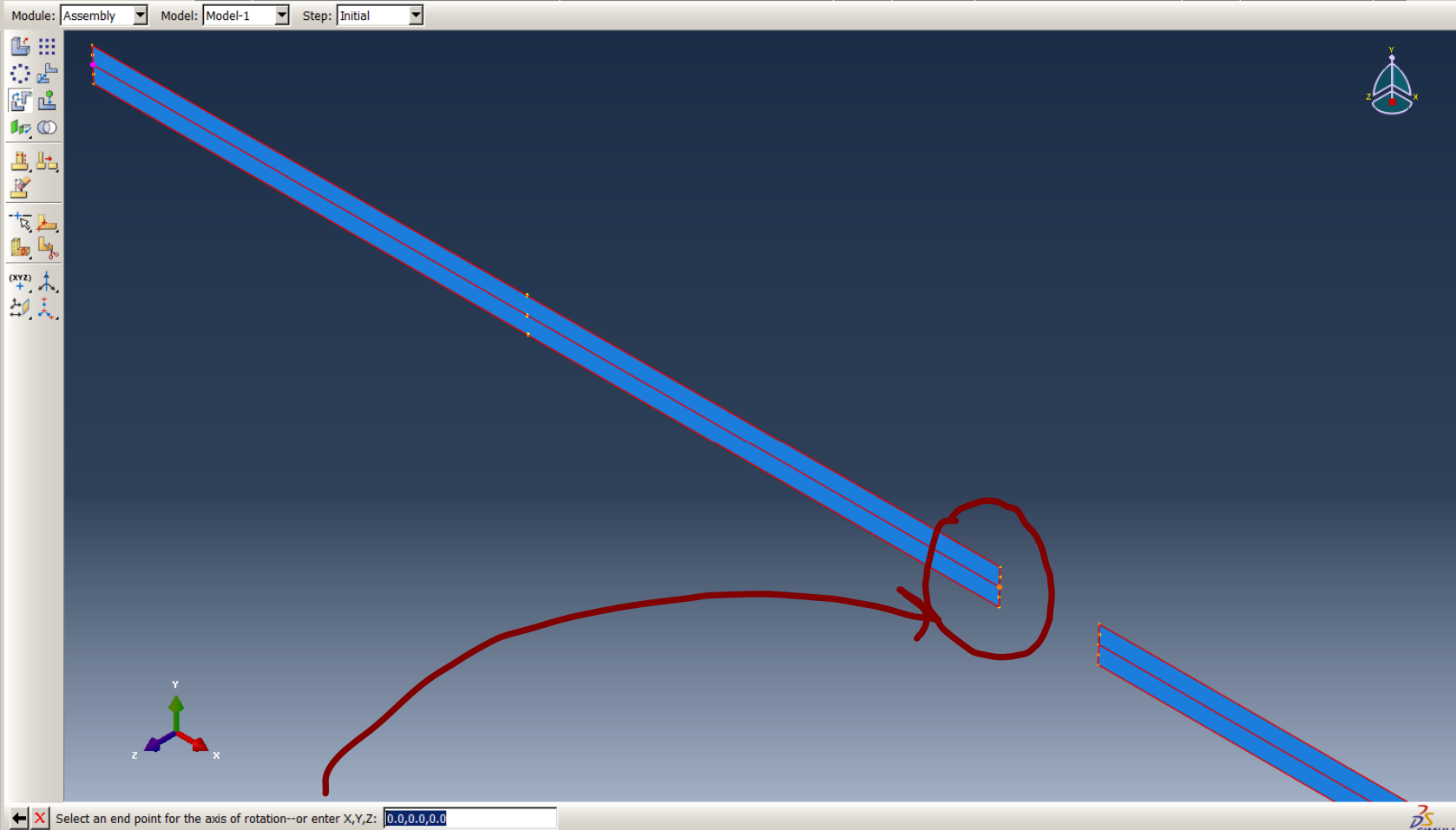
Warning: Warning: Permission was denied for "abaqus.rpy": "abaqus.rpy.141" will be used for this session's replay file.
A new model database has been created.
The model "Model-1" has been created.

Model Database

- Models (1)
 - Model-1
 - Parts (2)
 - Materials
 - Sections
 - Profiles
 - Assembly
 - Steps (1)
 - Field Output Requests
 - History Output Requests
 - Time Points
 - ALE Adaptive Mesh Constraints
 - Interactions
 - Interaction Properties
 - Contact Controls
 - Contact Initializations
 - Constraints
 - Connector Sections
 - Fields
 - Amplitudes
 - Loads
 - BCs
 - Predefined Fields
 - Remeshing Rules
 - Sketches
 - Annotations

Analysis

- Jobs
- Adaptivity Processes
- Co-executions



Select an end point for the axis of rotation--or enter X,Y,Z: 0,0,0,0,0

Warning: Warning: Permission was denied for "abaqus.rpy": "abaqus.rpy.141" will be used for this session's replay file.
A new model database has been created.
The model "Model-1" has been created.

Model Database

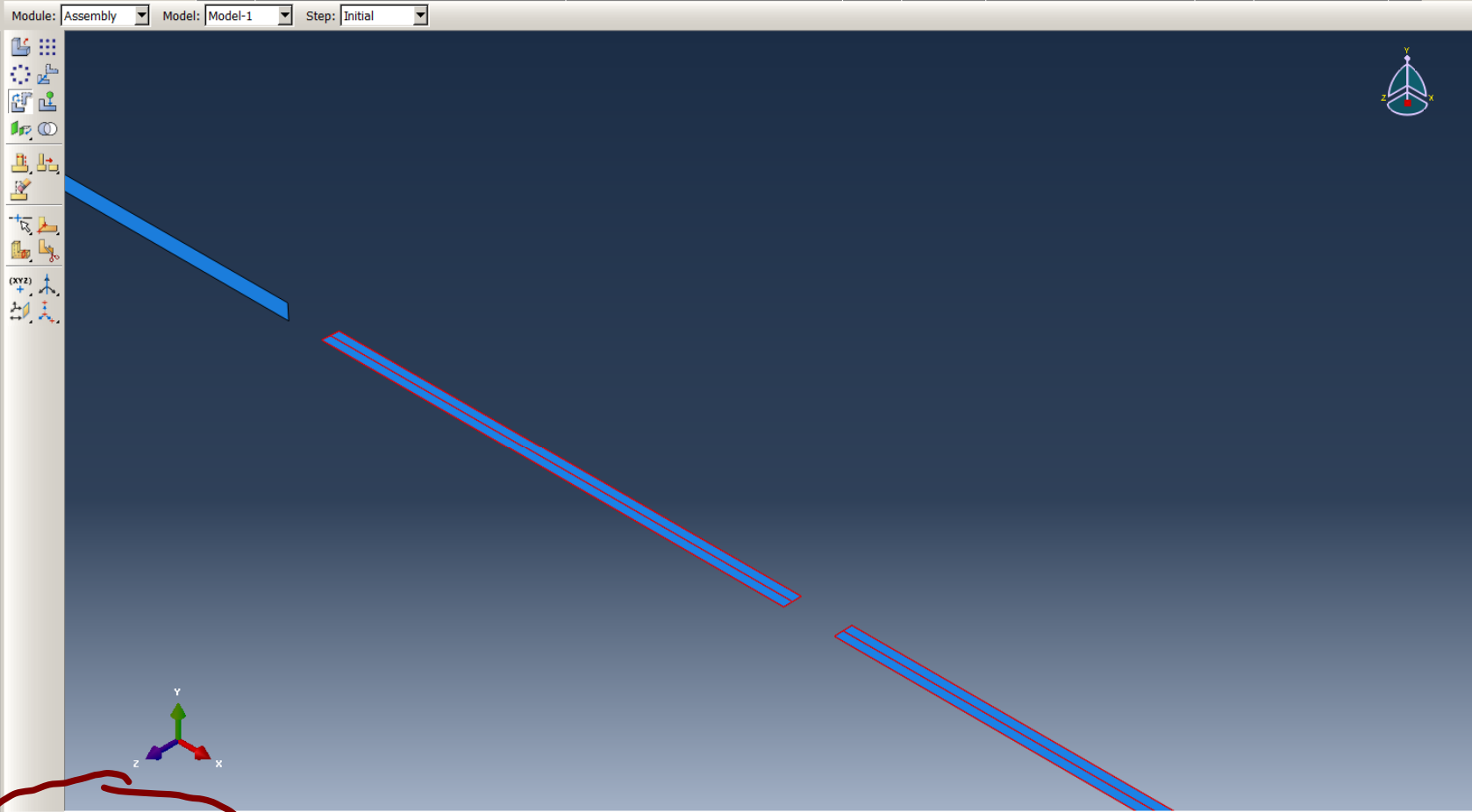
- Models (1)
 - Model-1
 - Parts (2)
 - Materials
 - Sections
 - Profiles
 - Assembly
 - Steps (1)
 - Field Output Requests
 - History Output Requests
 - Time Points
 - ALE Adaptive Mesh Constraints
 - Interactions
 - Interaction Properties
 - Contact Controls
 - Contact Initializations
 - Constraints
 - Connector Sections
 - Fields
 - Amplitudes
 - Loads
 - BCs
 - Predefined Fields
 - Remeshing Rules
 - Sketches
 - Annotations
 - Analysis
 - Jobs
 - Adaptivity Processes
 - Co-executions

Module: Assembly Model: Model-1 Step: Initial

Angle of rotation: 90.0

Warning: Warning: Permission was denied for "abaqus.rpy"; "abaqus.rpy.141" will be used for this session's replay file.
A new model database has been created.
The model "Model-1" has been created.

- Model Database
 - Models (1)
 - Model-1
 - Parts (2)
 - Materials
 - Sections
 - Profiles
 - Assembly
 - Steps (1)
 - Field Output Requests
 - History Output Requests
 - Time Points
 - ALE Adaptive Mesh Constraints
 - Interactions
 - Interaction Properties
 - Contact Controls
 - Contact Initializations
 - Constraints
 - Connector Sections
 - Fields
 - Amplitudes
 - Loads
 - BCs
 - Predefined Fields
 - Remeshing Rules
 - Sketches
 - Annotations
 - Analysis
 - Jobs
 - Adaptivity Processes
 - Co-executions



Position of instance: OK

Warning: Warning: Permission was denied for "abaqus.rpy"; "abaqus.rpy" will be used for this session's replay file.
A new model database has been created.
The model "Model-1" has been created.

Model Database

- Models (1)
 - Model-1
 - Parts (2)
 - Materials
 - Sections
 - Profiles
 - Assembly
 - Steps (1)
 - Field Output Requests
 - History Output Requests
 - Time Points
 - ALE Adaptive Mesh Constraints
 - Interactions
 - Interaction Properties
 - Contact Controls
 - Contact Initializations
 - Constraints
 - Connector Sections
 - Fields
 - Amplitudes
 - Loads
 - BCs
 - Predefined Fields
 - Remeshing Rules
 - Sketches
 - Annotations
 - Analysis
 - Jobs
 - Adaptivity Processes
 - Co-executions

Module: Assembly Model: Model-1 Step: Initial

Translate Instance

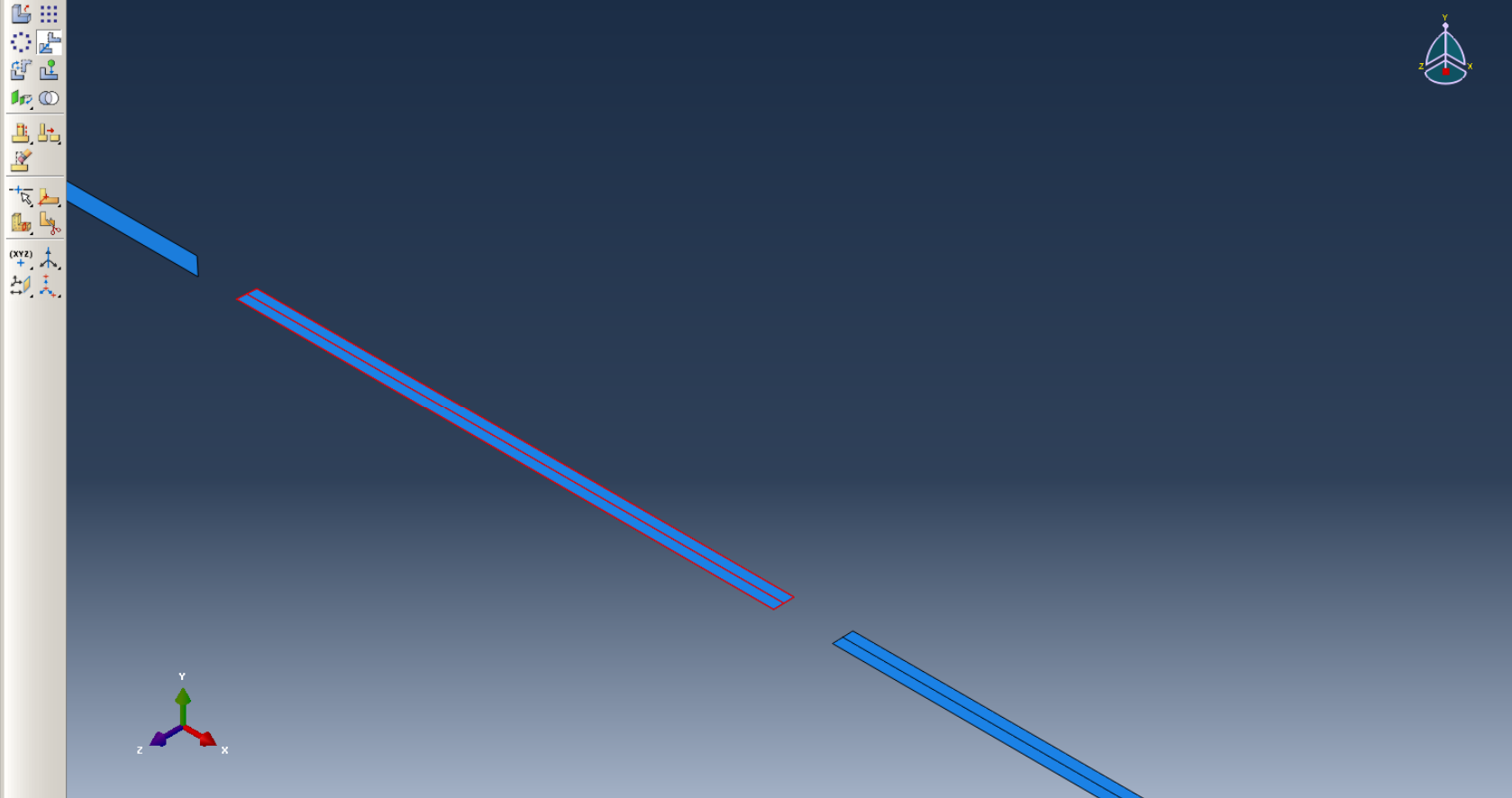
Select the instances to translate Done

Warning: Warning: Permission was denied for "abaqus.rpy": "abaqus.rpy.141" will be used for this session's replay file.
A new model database has been created.
The model "Model-1" has been created.
The instances were rotated by 90. degrees about the axis defined by the point 6.6E+03, 110., 0. and the vector 6.E+03, 0., 0.

Model Database

- Models (1)
 - Model-1
 - Parts (2)
 - Materials
 - Sections
 - Profiles
 - Assembly
 - Steps (1)
 - Field Output Requests
 - History Output Requests
 - Time Points
 - ALE Adaptive Mesh Constraints
 - Interactions
 - Interaction Properties
 - Contact Controls
 - Contact Initializations
 - Constraints
 - Connector Sections
 - Fields
 - Amplitudes
 - Loads
 - BCs
 - Predefined Fields
 - Remeshing Rules
 - Sketches
 - Annotations
 - Analysis
 - Jobs
 - Adaptivity Processes
 - Co-executions

Module: Assembly Model: Model-1 Step: Initial



Select the instances to translate Done

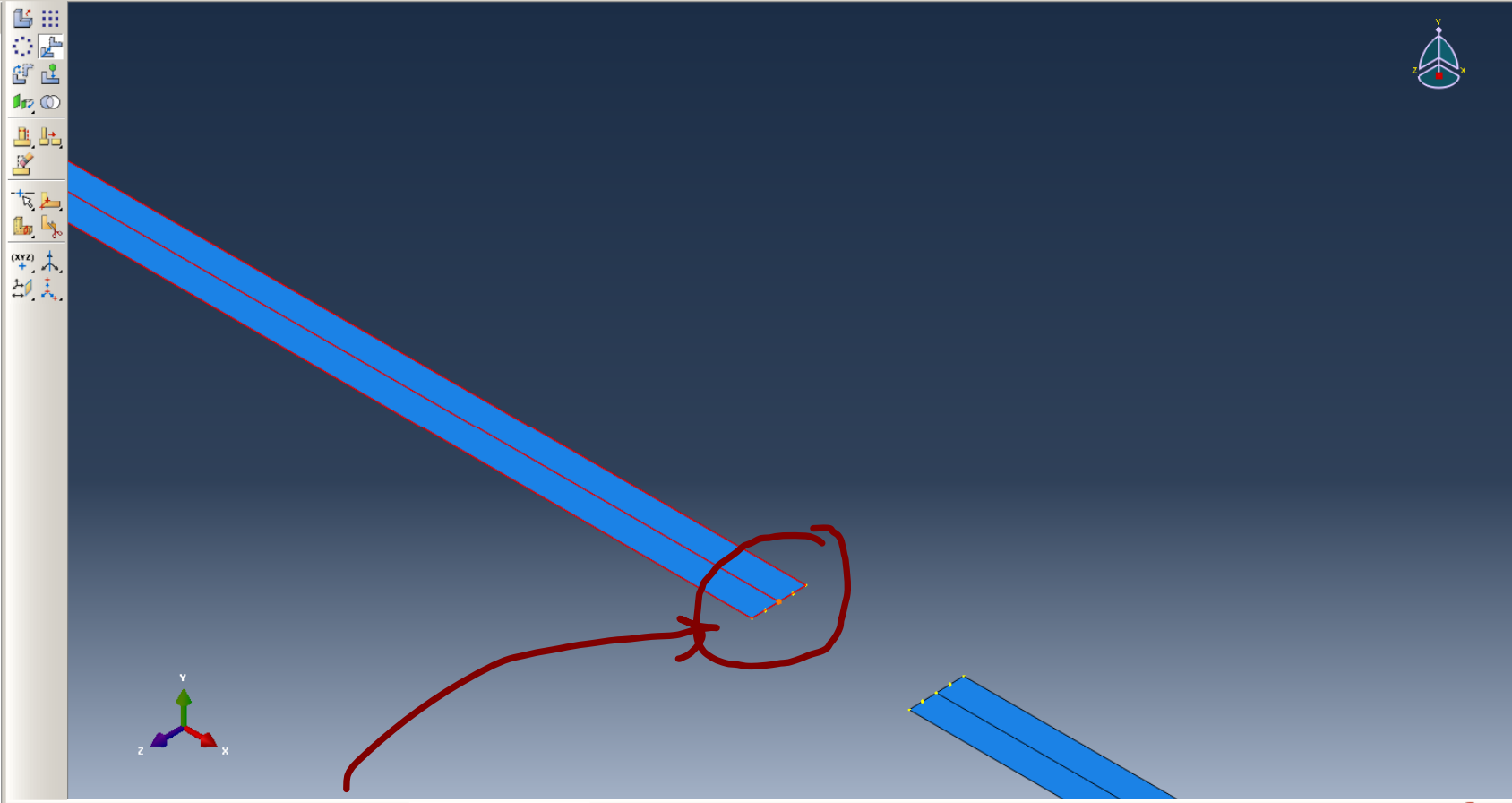
Instances... SIMULIA

Warning: Warning: Permission was denied for "abaqus.rpy": "abaqus.rpy.141" will be used for this session's replay file.
A new model database has been created.
The model "Model-1" has been created.
The instances were rotated by 90. degrees about the axis defined by the point 6.6E+03, 110., 0. and the vector 6.E+03, 0., 0.

Model Database

- Models (1)
 - Model-1
 - Parts (2)
 - Materials
 - Sections
 - Profiles
 - Assembly
 - Steps (1)
 - Field Output Requests
 - History Output Requests
 - Time Points
 - ALE Adaptive Mesh Constraints
 - Interactions
 - Interaction Properties
 - Contact Controls
 - Contact Initializations
 - Constraints
 - Connector Sections
 - Fields
 - Amplitudes
 - Loads
 - BCs
 - Predefined Fields
 - Remeshing Rules
 - Sketches
 - Annotations
 - Analysis
 - Jobs
 - Adaptivity Processes
 - Co-executions

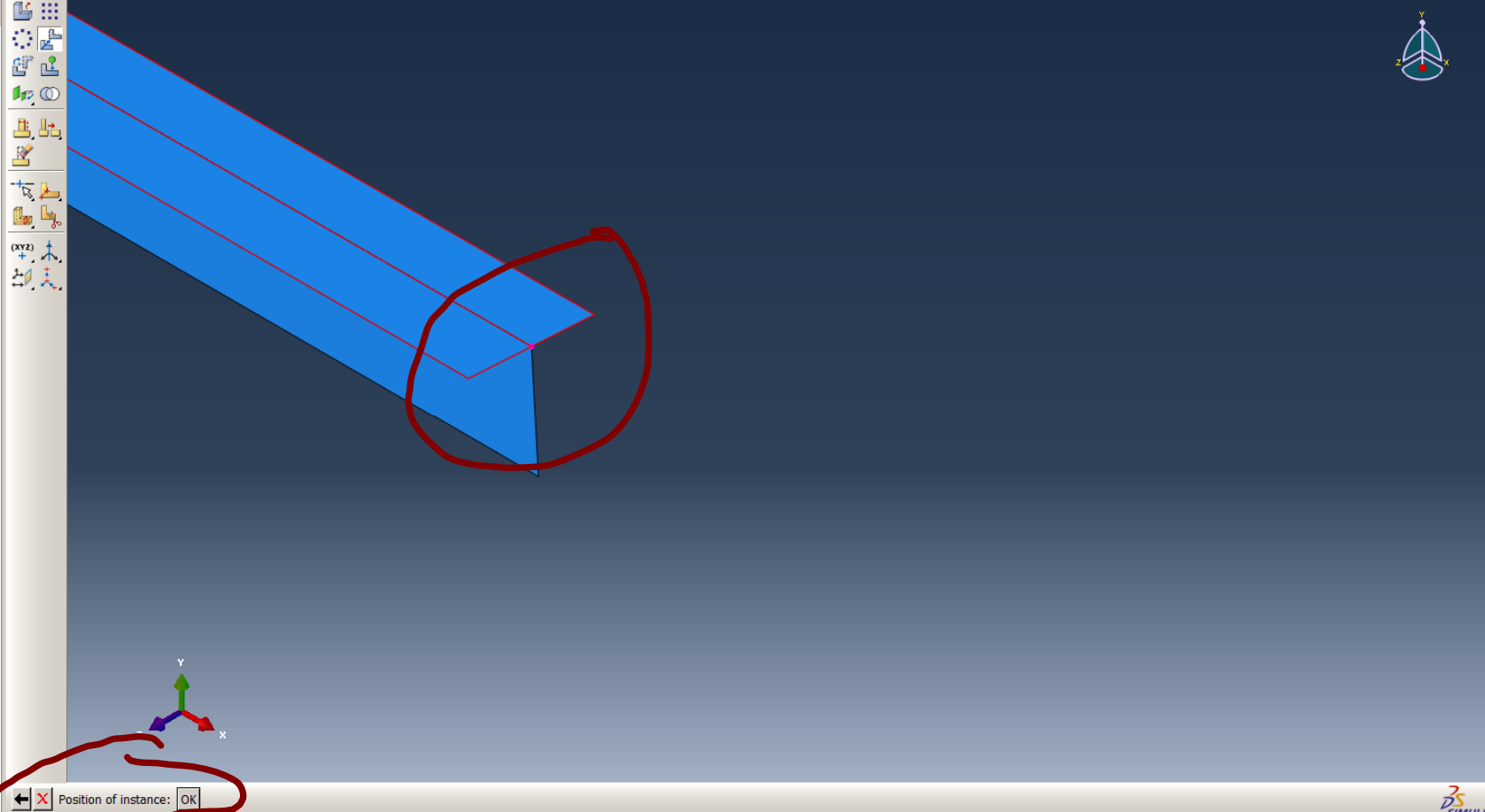
Module: Assembly Model: Model-1 Step: Initial



Select a start point for the translation vector--or enter X,Y,Z: 0.0,0.0,0.0

Warning: Warning: Permission was denied for "abaqus.rpy": "abaqus.rpy.141" will be used for this session's replay file.
A new model database has been created.
The model "Model-1" has been created.
The instances were rotated by 90. degrees about the axis defined by the point 6.6E+03, 110. 0. and the vector 6.E+03, 0., 0.

- Model Database
 - Models (1)
 - Model-1
 - Parts (2)
 - Materials
 - Sections
 - Profiles
 - Assembly
 - Steps (1)
 - Field Output Requests
 - History Output Requests
 - Time Points
 - ALE Adaptive Mesh Constraints
 - Interactions
 - Interaction Properties
 - Contact Controls
 - Contact Initializations
 - Constraints
 - Connector Sections
 - Fields
 - Amplitudes
 - Loads
 - BCs
 - Predefined Fields
 - Remeshing Rules
 - Sketches
 - Annotations
 - Analysis
 - Jobs
 - Adaptivity Processes
 - Co-executions



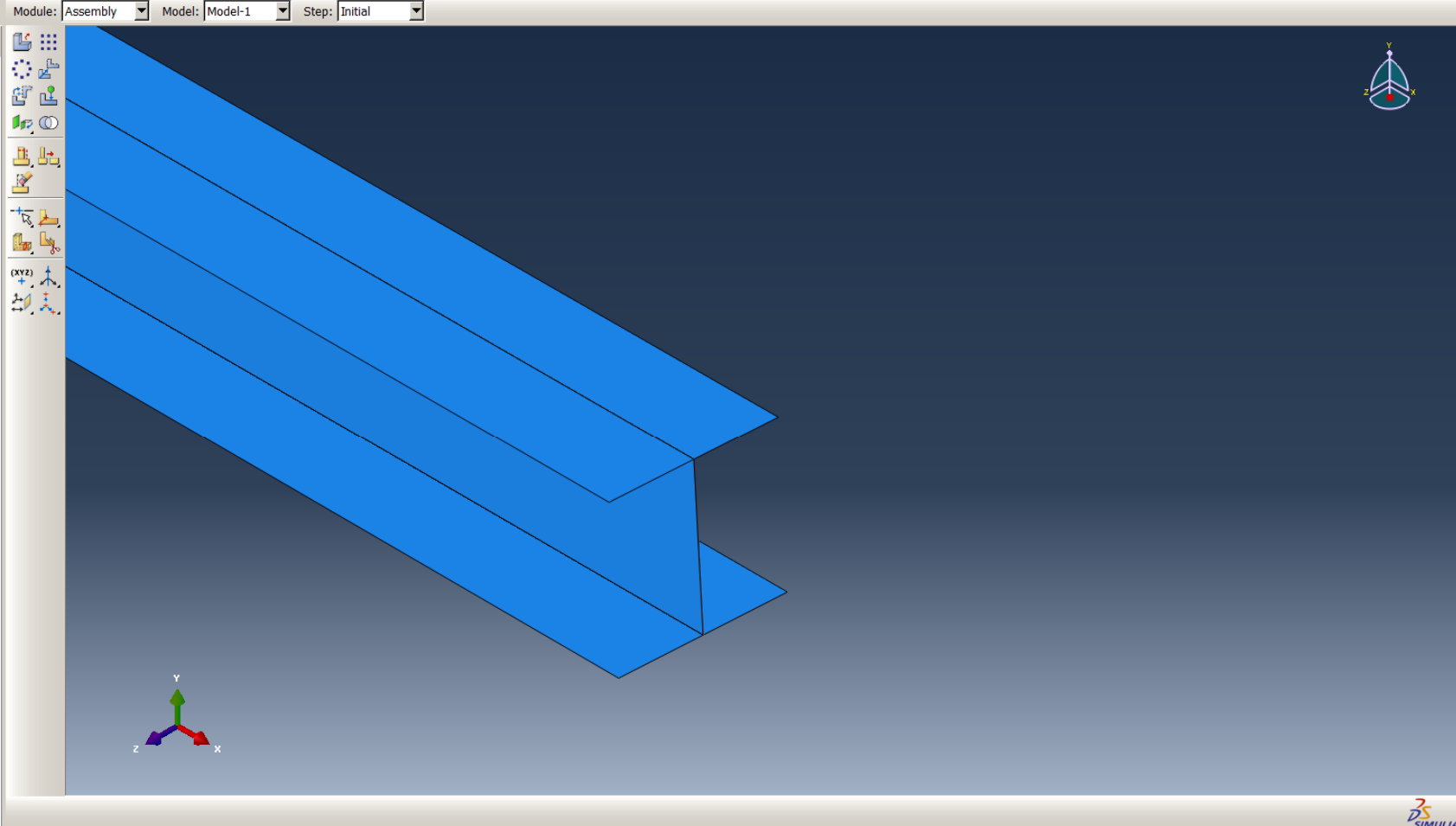
Position of instance: OK

Warning: Warning: Permission was denied for "abaqus.rpy": "abaqus.rpy.141" will be used for this session's replay file.
A new model database has been created.
The model "Model-1" has been created.
The instances were rotated by 90. degrees about the axis defined by the point 6.6E+03, 110., 0. and the vector 6.E+03, 0., 0.



Model Database

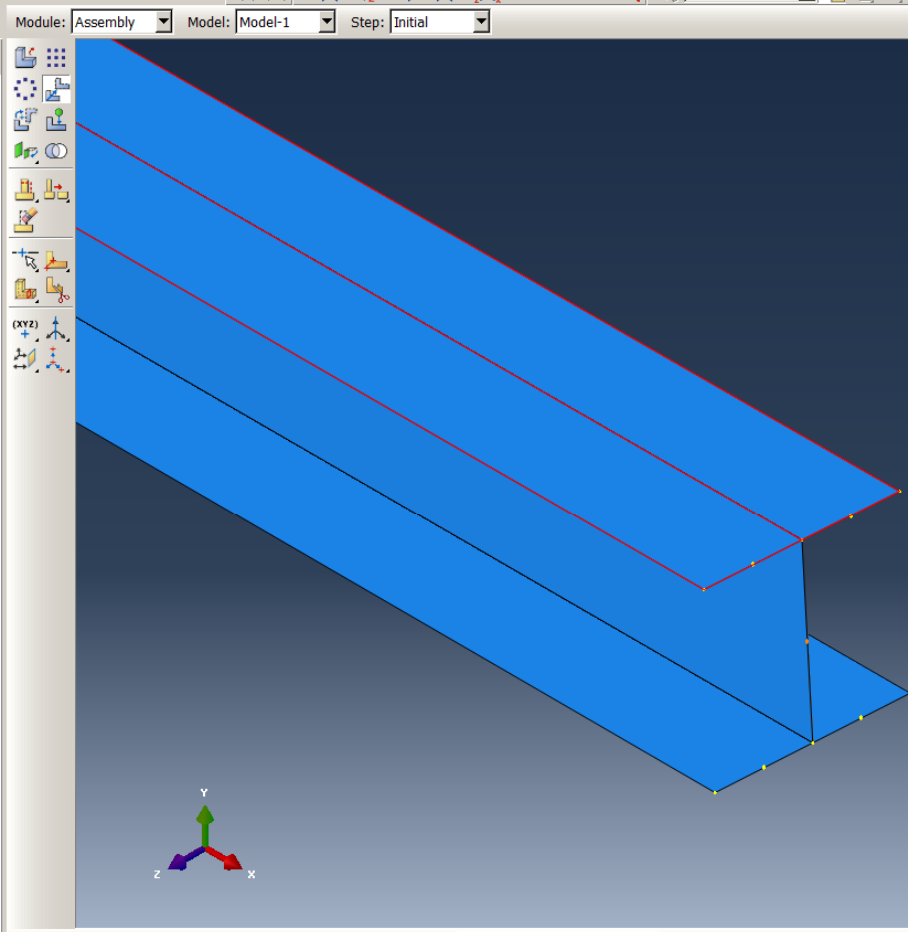
- Models (1)
 - Model-1
 - Parts (2)
 - Materials
 - Sections
 - Profiles
 - Assembly
 - Steps (1)
 - Field Output Requests
 - History Output Requests
 - Time Points
 - ALE Adaptive Mesh Constraints
 - Interactions
 - Interaction Properties
 - Contact Controls
 - Contact Initializations
 - Constraints
 - Connector Sections
 - Fields
 - Amplitudes
 - Loads
 - BCs
 - Predefined Fields
 - Remeshing Rules
 - Sketches
 - Annotations
 - Analysis
 - Jobs
 - Adaptivity Processes
 - Co-executions



A new model database has been created.
The model "Model-1" has been created.
The instances were rotated by 90. degrees about the axis defined by the point 6.6E+03, 110., 0. and the vector 6.E+03, 0., 0.
The instance Talpa-1 was translated by -6.6E+03, 94., 0. with respect to the assembly coordinate system
The instance Talpa-2 was translated by -13.2E+03, -110., 0. with respect to the assembly coordinate system



- Model Database
- Models (1)
 - Model-1
 - Parts (2)
 - Materials
 - Sections
 - Profiles
 - Assembly
 - Steps (1)
 - Field Output Requests
 - History Output Requests
 - Time Points
 - ALE Adaptive Mesh Constraints
 - Interactions
 - Interaction Properties
 - Contact Controls
 - Contact Initializations
 - Constraints
 - Connector Sections
 - Fields
 - Amplitudes
 - Loads
 - BCs
 - Predefined Fields
 - Remeshing Rules
 - Sketches
 - Annotations
 - Analysis
 - Jobs
 - Adaptivity Processes
 - Co-executions



Select a start point for the translation vector--or enter X,Y,Z:

A new model database has been created.
The model "Model-1" has been created.
The instances were rotated by 90. degrees about the axis defined by the point 6.6E+03, 110., 0. and the vector 6.E+03, 0., 0.
The instance Talpa-1 was translated by -6.6E+03, 94., 0. with respect to the assembly coordinate system
The instance Talpa-2 was translated by -13.2E+03, -110., 0. with respect to the assembly coordinate system

Model Database

- Models (1)
 - Model-1
 - Parts (2)
 - Materials
 - Sections
 - Profiles
 - Assembly
 - Steps (1)
 - Field Output Requests
 - History Output Requests
 - Time Points
 - ALE Adaptive Mesh Constraints
 - Interactions
 - Interaction Properties
 - Contact Controls
 - Contact Initializations
 - Constraints
 - Connector Sections
 - Fields
 - Amplitudes
 - Loads
 - BCs
 - Predefined Fields
 - Remeshing Rules
 - Sketches
 - Annotations
 - Analysis
 - Jobs
 - Adaptivity Processes
 - Co-executions

Module: Assembly Model: Model-1 Step: Initial

Position of instance: OK

The model "Model-1" has been created.
The instances were rotated by 90. degrees about the axis defined by the point 6.6E+03, 110., 0., and the vector 6.E+03, 0., 0.
The instance Talpa-1 was translated by -6.6E+03, 94., 0. with respect to the assembly coordinate system
The instance Talpa-2 was translated by -13.2E+03, -110., 0. with respect to the assembly coordinate system
The instance Talpa-1 was translated by 0., 102., 0. with respect to the assembly coordinate system

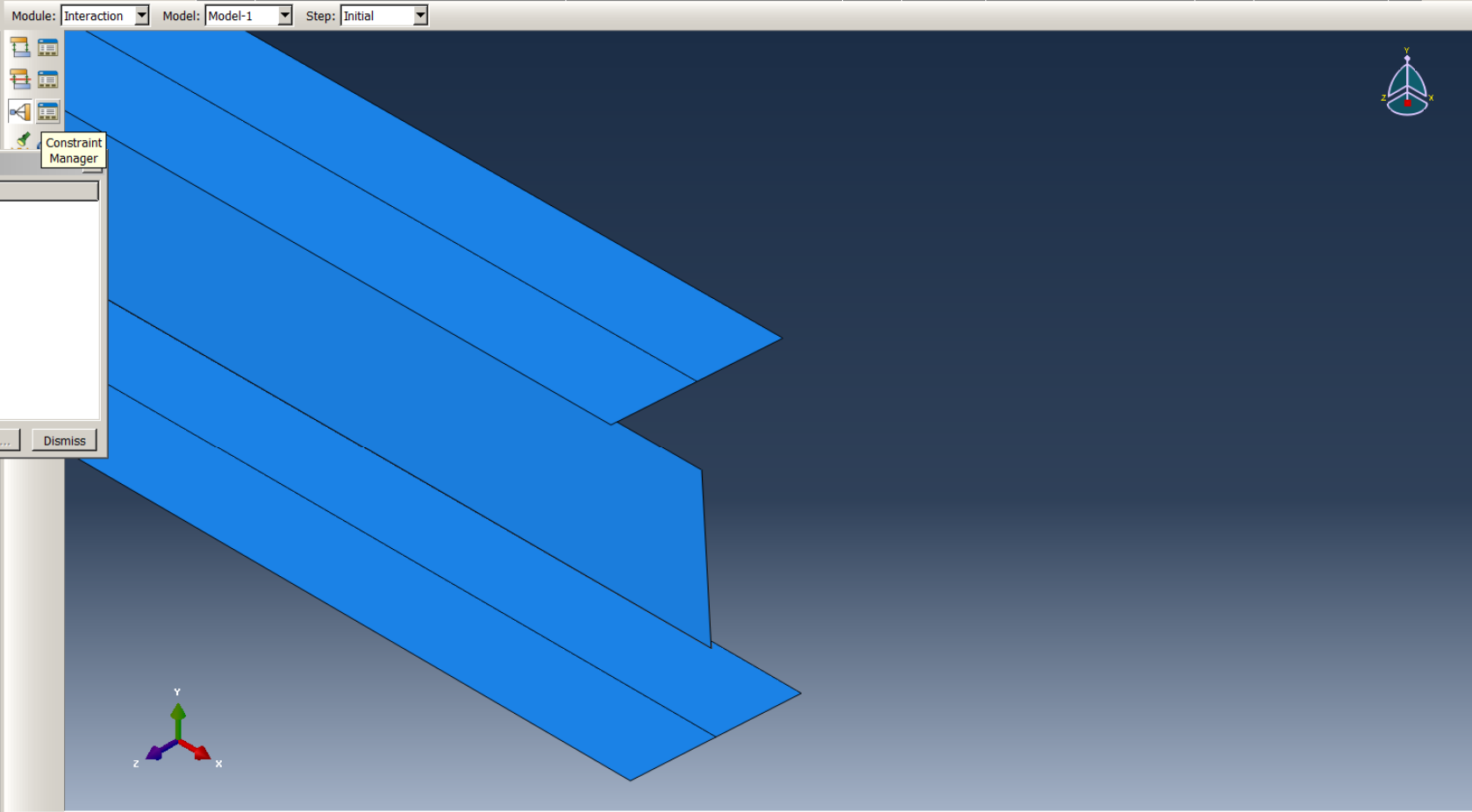
Model Database

- Models (1)
 - Model-1
 - Parts (2)
 - Materials

Constraint Manager

Name	Type
------	------

Create... Edit... Copy... Rename... Delete... Dismiss



Create Constraint

Name: Constraint-1

Type

- Tie
- Rigid body
- Display body
- Coupling
- MPC Constraint
- Shell-to-solid coupling
- Embedded region
- Equation

Continue... Cancel

Fill out the Create Constraint dialog

The instances were rotated by 90. degrees about the axis defined by the point 6.6E+03, 110., 0. and the vector 6.E+03, 0., 0.
The instance Talpa-1 was translated by -6.6E+03, 94., 0. with respect to the assembly coordinate system
The instance Talpa-2 was translated by -13.2E+03, -110., 0. with respect to the assembly coordinate system
The instance Talpa-1 was translated by 0., 102., 0. with respect to the assembly coordinate system
The instance Talpa-2 was translated by 0., -102., 0. with respect to the assembly coordinate system

Model Database

- Models (1)
 - Model-1
 - Parts (2)
 - Materials

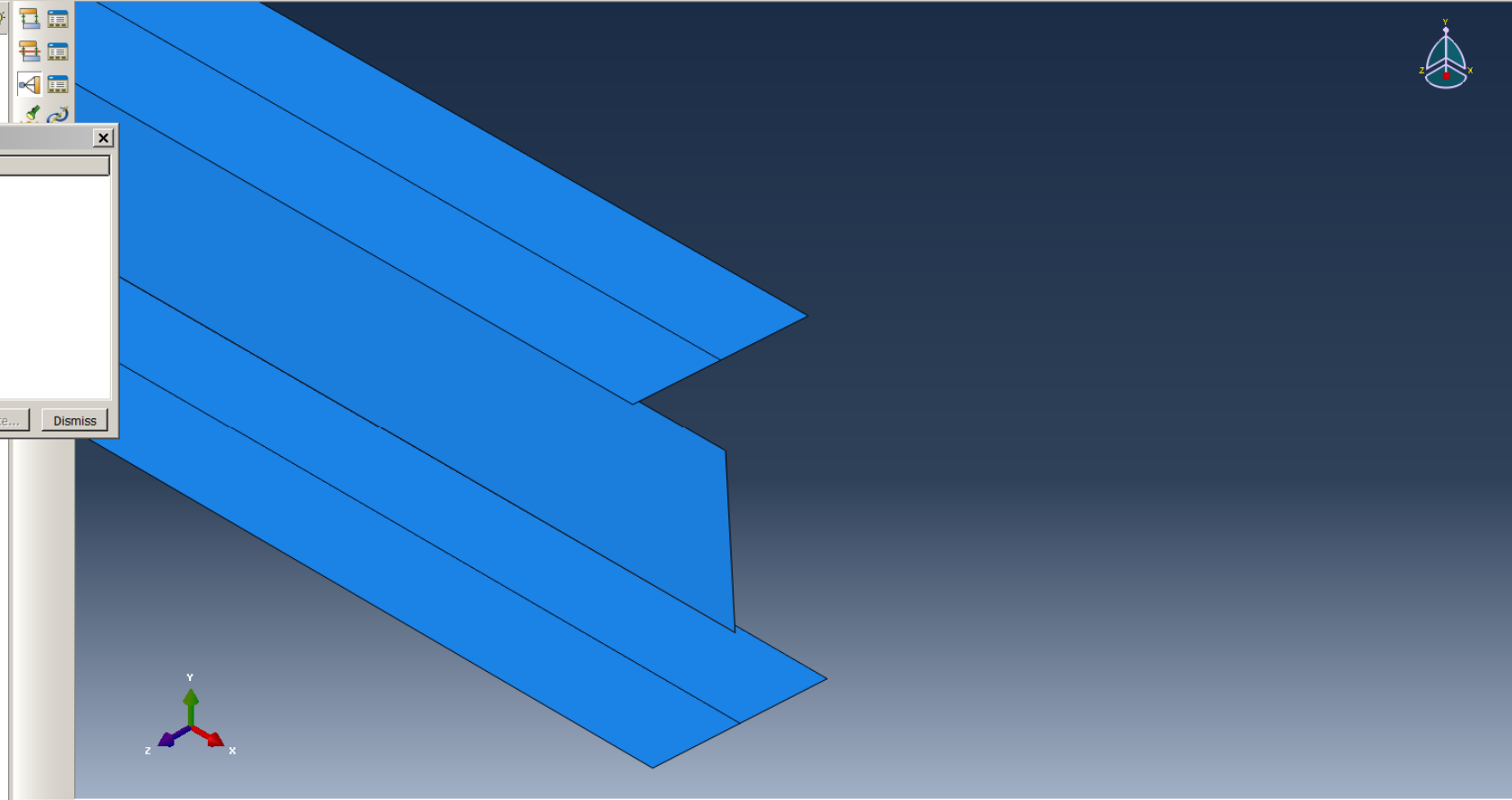
Module: Interaction Model: Model-1 Step: Initial

Constraint Manager

Name	Type
------	------

Create... Edit... Copy... Rename... Delete... Dismiss

- Loads
 - BCs
 - Predefined Fields
 - Remeshing Rules
 - Sketches
- Annotations
- Analysis
 - Jobs
 - Adaptivity Processes
 - Co-executions



Choose the master type: Surface Node Region

The instances were rotated by 90. degrees about the axis defined by the point 6.6E+03, 110., 0., and the vector 6.E+03, 0., 0.
The instance Talpa-1 was translated by -6.6E+03, 94., 0. with respect to the assembly coordinate system
The instance Talpa-2 was translated by -13.2E+03, -110., 0. with respect to the assembly coordinate system
The instance Talpa-1 was translated by 0., 102., 0. with respect to the assembly coordinate system
The instance Talpa-2 was translated by 0., -102., 0. with respect to the assembly coordinate system

Model Database

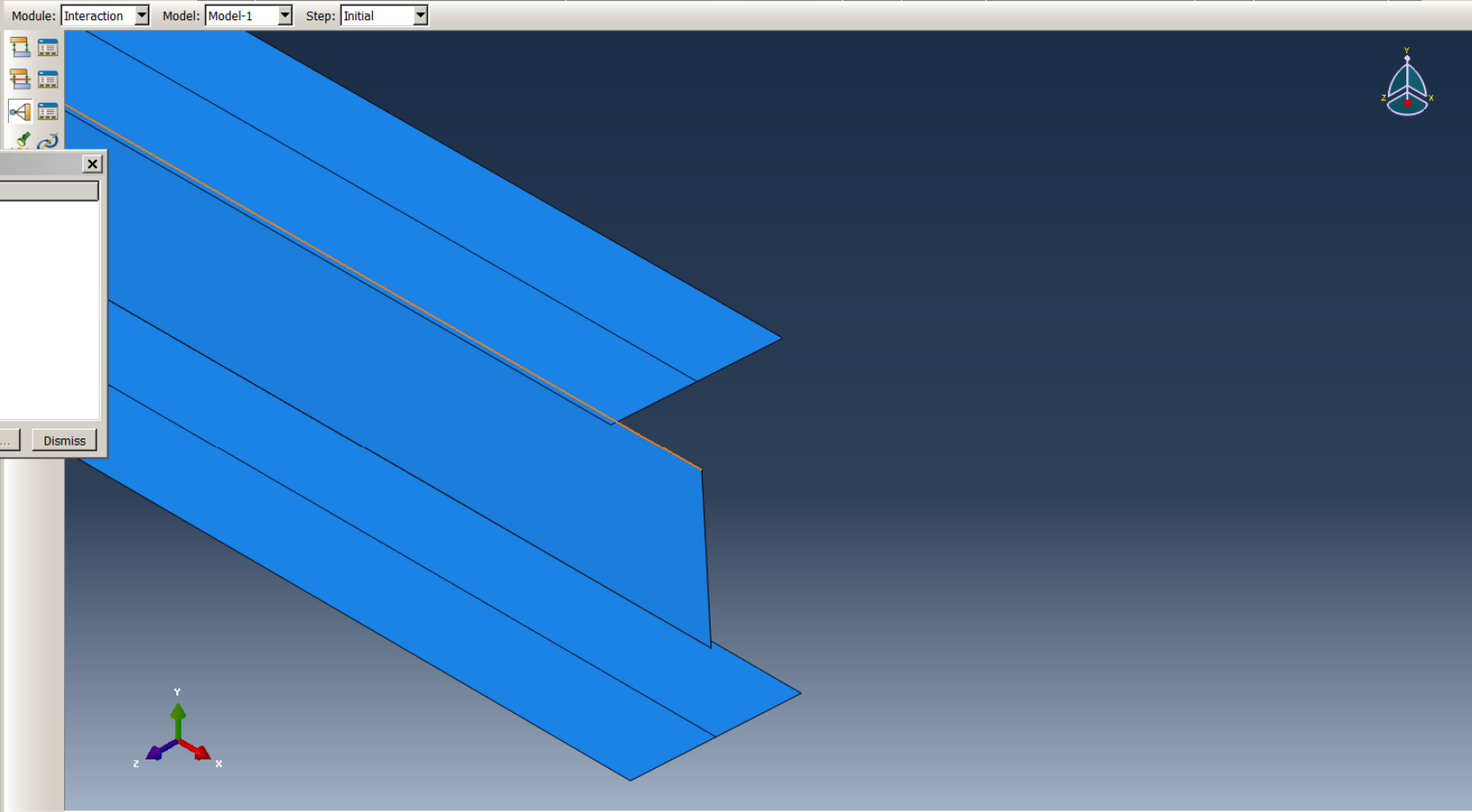
- Models (1)
 - Model-1
 - Parts (2)
 - Materials

Constraint Manager

Name	Type
------	------

Create... Edit... Copy... Rename... Delete... Dismiss

- Loops
- BCs
- Predefined Fields
- Remeshing Rules
- Sketches
- Annotations
- Analysis
 - Jobs
 - Adaptivity Processes
 - Co-executions



Select regions for the master surface individually Done

The instances were rotated by 90. degrees about the axis defined by the point 6.6E+03, 110., 0. and the vector 6.E+03, 0., 0.
The instance Talpa-1 was translated by -6.6E+03, 94., 0. with respect to the assembly coordinate system
The instance Talpa-2 was translated by -13.2E+03, -110., 0. with respect to the assembly coordinate system
The instance Talpa-1 was translated by 0., 102., 0. with respect to the assembly coordinate system
The instance Talpa-2 was translated by 0., -102., 0. with respect to the assembly coordinate system

Model Database

- Models (1)
 - Model-1
 - Parts (2)
 - Materials

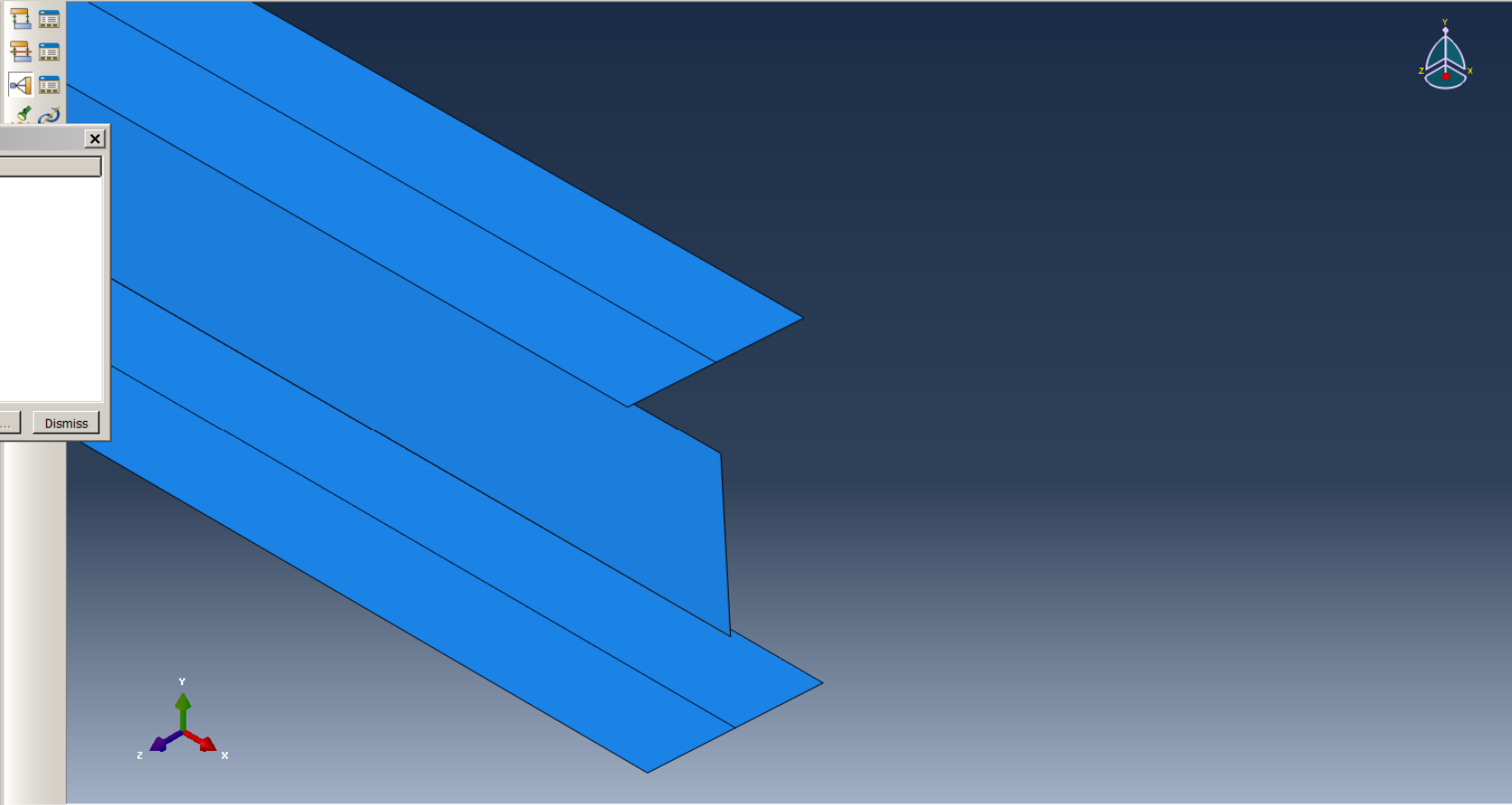
Module: Interaction Model: Model-1 Step: Initial

Constraint Manager

Name	Type
------	------

Create... Edit... Copy... Rename... Delete... Dismiss

- Loops
- BCs
- Predefined Fields
- Remeshing Rules
- Sketches
- Annotations
- Analysis
 - Jobs
 - Adaptivity Processes
 - Co-executions



Choose the slave type: Surface Node Region

The instances were rotated by 90. degrees about the axis defined by the point 6.6E+03, 110., 0., and the vector 6.E+03, 0., 0.
The instance Talpa-1 was translated by -6.6E+03, 94., 0. with respect to the assembly coordinate system
The instance Talpa-2 was translated by -13.2E+03, -110., 0. with respect to the assembly coordinate system
The instance Talpa-1 was translated by 0., 102., 0. with respect to the assembly coordinate system
The instance Talpa-2 was translated by 0., -102., 0. with respect to the assembly coordinate system

Model Database

- Models (1)
 - Model-1
 - Parts (2)
 - Materials

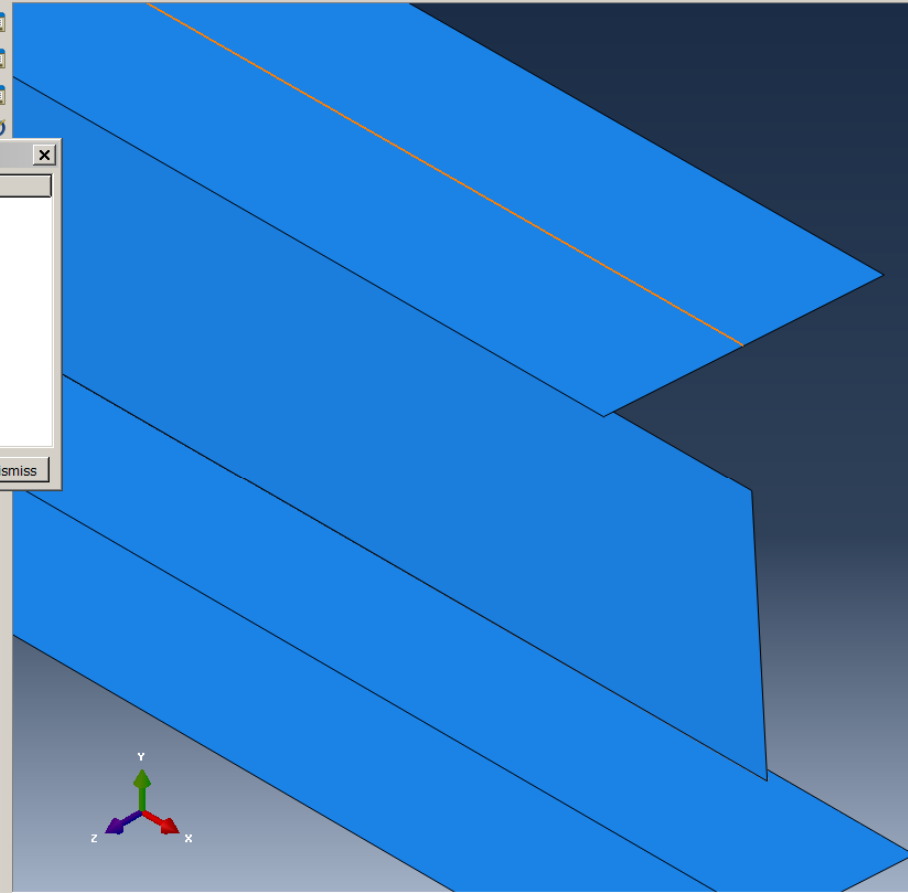
Module: Interaction Model: Model-1 Step: Initial

Constraint Manager

Name	Type
------	------

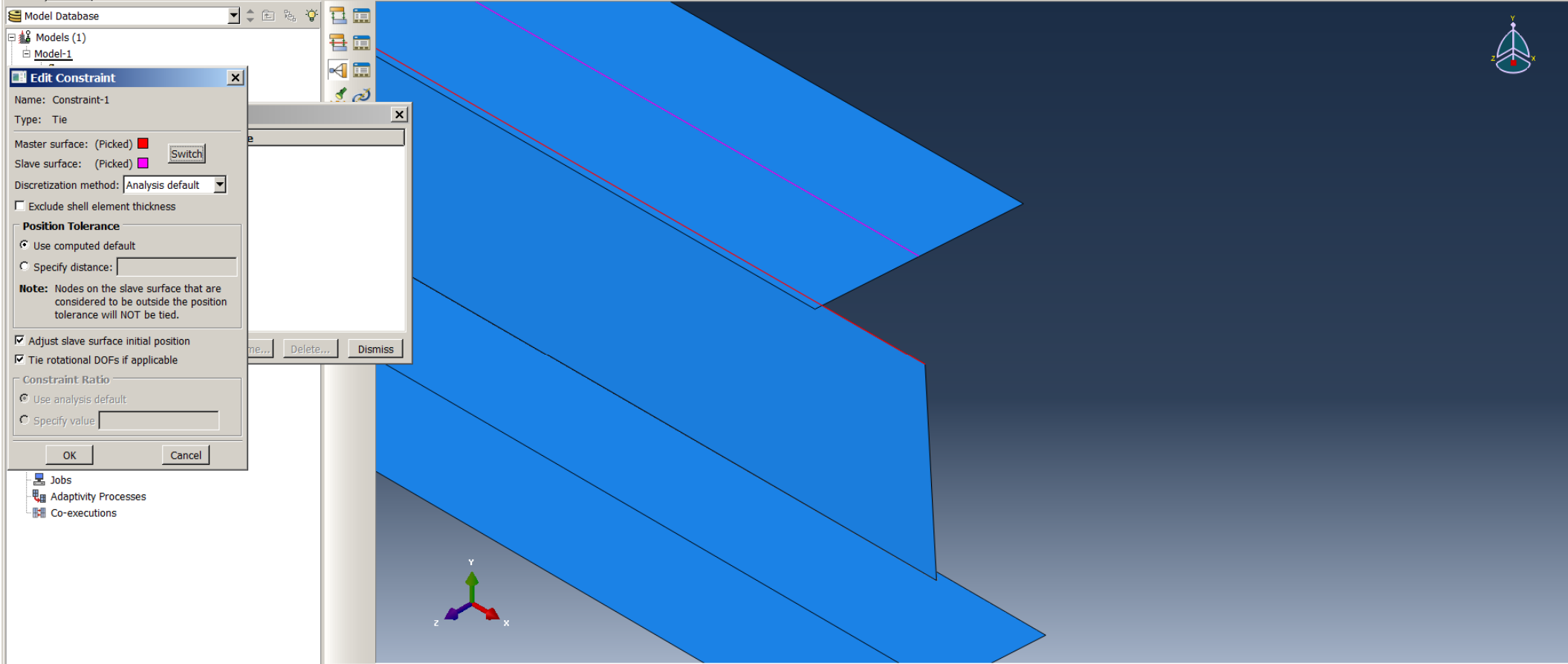
Create... Edit... Copy... Rename... Delete... Dismiss

- Locals
 - BCs
 - Predefined Fields
 - Remeshing Rules
 - Sketches
- Annotations
- Analysis
 - Jobs
 - Adaptivity Processes
 - Co-executions



Select regions for the slave surface Individually Done

The instances were rotated by 90. degrees about the axis defined by the point 6.6E+03, 110., 0. and the vector 6.E+03, 0., 0.
The instance Talpa-1 was translated by -6.6E+03, 94., 0. with respect to the assembly coordinate system
The instance Talpa-2 was translated by -13.2E+03, -110., 0. with respect to the assembly coordinate system
The instance Talpa-1 was translated by 0., 102., 0. with respect to the assembly coordinate system
The instance Talpa-2 was translated by 0., -102., 0. with respect to the assembly coordinate system



Edit Constraint

Name: Constraint-1

Type: Tie

Master surface: (Picked) ■

Slave surface: (Picked) ■

Discretization method: Analysis default

Exclude shell element thickness

Position Tolerance

Use computed default

Specify distance:

Note: Nodes on the slave surface that are considered to be outside the position tolerance will NOT be tied.

Adjust slave surface initial position

Tie rotational DOFs if applicable

Constraint Ratio

Use analysis default

Specify value:

Fill out the Edit Constraint dialog

The instances were rotated by 90. degrees about the axis defined by the point 6.6E+03, 110., 0. and the vector 6.E+03, 0., 0.
The instance Talpa-1 was translated by -6.6E+03, 94., 0. with respect to the assembly coordinate system
The instance Talpa-2 was translated by -13.2E+03, -110., 0. with respect to the assembly coordinate system
The instance Talpa-1 was translated by 0., 102., 0. with respect to the assembly coordinate system
The instance Talpa-2 was translated by 0., -102., 0. with respect to the assembly coordinate system

Edit Constraint

Name: Constraint-2

Type: Tie

Master surface: (Picked) Switch

Slave surface: (Picked)

Discretization method: Analysis default

Exclude shell element thickness

Position Tolerance

Use computed default

Specify distance:

Note: Nodes on the slave surface that are considered to be outside the position tolerance will NOT be tied.

Adjust slave surface initial position

Tie rotational DOFs if applicable

Constraint Ratio

Use analysis default

Specify value:

OK Cancel

me... Delete... Dismiss

Fill out the Edit Constraint dialog

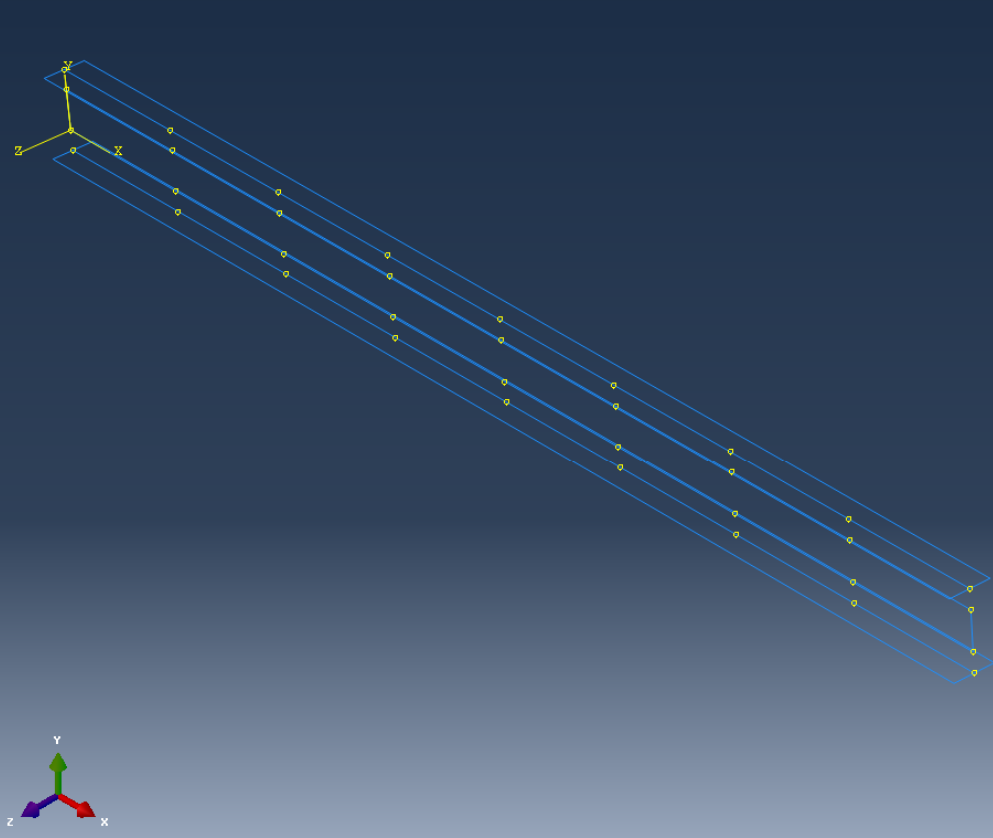
The instances were rotated by 90. degrees about the axis defined by the point 6.6E+03, 110., 0 and the vector 6.E+03, 0., 0.
The instance Talpa-1 was translated by -6.6E+03, 94., 0. with respect to the assembly coordinate system
The instance Talpa-2 was translated by -13.2E+03, -110., 0 with respect to the assembly coordinate system
The instance Talpa-1 was translated by 0., 102., 0. with respect to the assembly coordinate system
The instance Talpa-2 was translated by 0., -102., 0. with respect to the assembly coordinate system

Model Database

- Models (1)
 - Model-1
 - Parts (2)
 - Materials

Module: Interaction Model: Model-1 Step: Initial

Name	Type
Constraint-1	Tie
Constraint-2	Tie



- Loads
- BCs
- Predefined Fields
- Remeshing Rules
- Sketches
- Annotations
- Analysis
 - Jobs
 - Adaptivity Processes
 - Co-executions

The instances were rotated by 90. degrees about the axis defined by the point 6.6E+03, 110., 0. and the vector 6.E+03, 0., 0.
The instance Talpa-1 was translated by -6.6E+03, 94., 0. with respect to the assembly coordinate system
The instance Talpa-2 was translated by -13.2E+03, -110., 0. with respect to the assembly coordinate system
The instance Talpa-1 was translated by 0., 102., 0. with respect to the assembly coordinate system
The instance Talpa-2 was translated by 0., -102., 0. with respect to the assembly coordinate system

Model Database Models (1)

Name	Type
Constraint-1	Tie
Constraint-2	Tie
Constraint-3	Rigid body

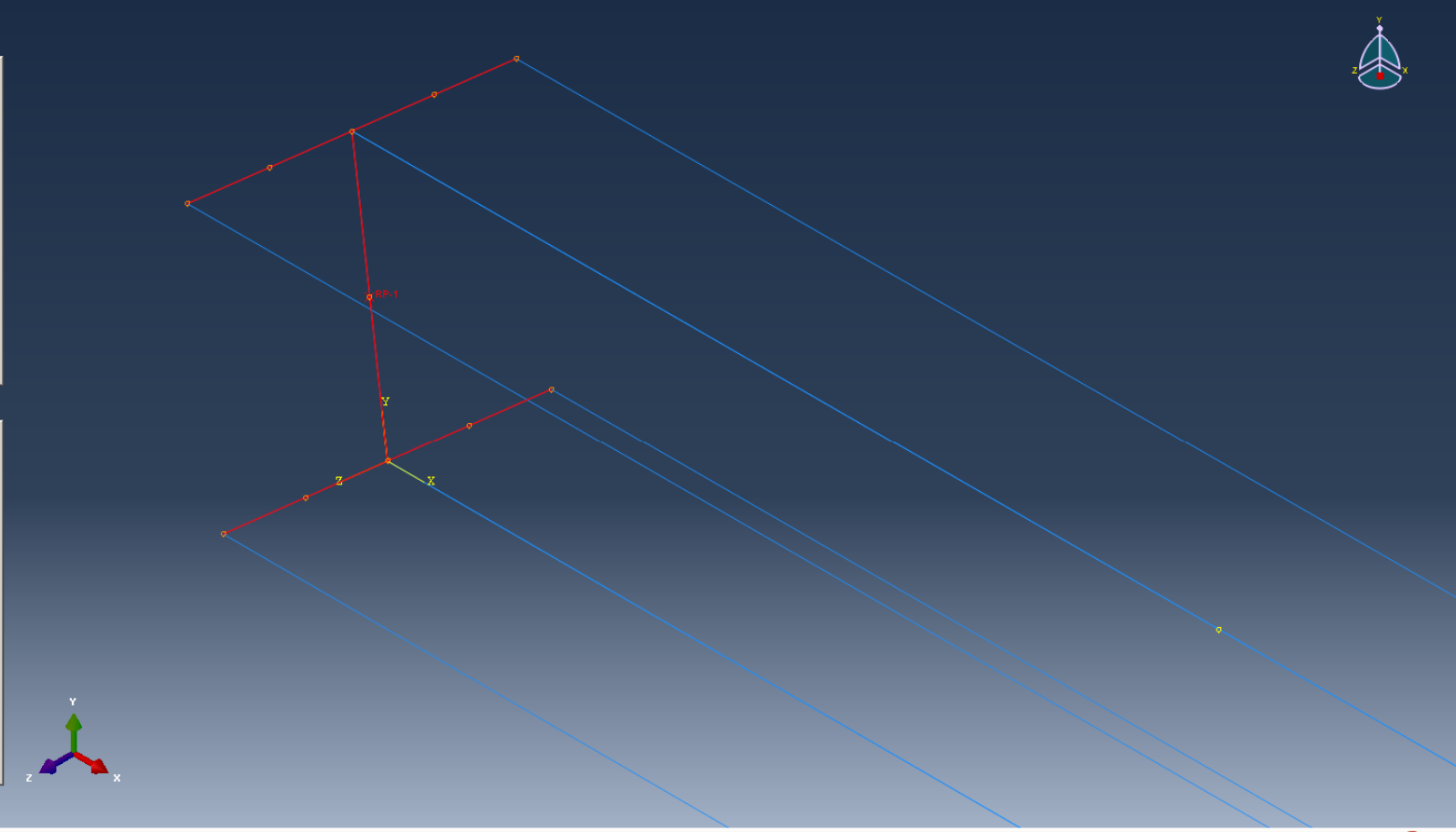
Edit Constraint

Name: Constraint-3
Type: Rigid Body

Region type	Region
Body (elements)	(None)
Pin (nodes)	(None)
Tie (nodes)	(Picked)
Analytical Surface	(None)

Reference Point
Point: (Picked) Edit...
 Adjust point to center of mass at start of analysis.
 Constrain selected regions to be isothermal (coupled thermal-stress analysis only)

OK Cancel



Fill out the Edit Constraint dialog

The instance Talpa-2 was translated by -13.2E+03, -110., 0. with respect to the assembly coordinate system
The instance Talpa-1 was translated by 0., 102., 0. with respect to the assembly coordinate system
The instance Talpa-2 was translated by 0., -102., 0. with respect to the assembly coordinate system
The instance Talpa-1 was translated by 0., -102., 0. with respect to the assembly coordinate system
The instance Talpa-2 was translated by 0., 102., 0. with respect to the assembly coordinate system